

1320 Series STANDARD LIQUID FILLABLE GAUGE WITH DIN BAYONET RING

Applications

1320 series pressure gauge is for heavy industrial applications where the media or the environment contains chemically aggressive substances. The gauge is filled with liquid for dampening mechanical vibrations.

Specifications

Nominal sizes:

2.5", 4", 6", 8", 10"

Accuracy:

CL1.6 for 2.5" dial

CL1.0 for 4" to 10" dial

IP class:

IP 66

Connection:

NPT 1/4" for 2.5

NPT 1/2" for 4", 6", 8", 10"

Scale Range, according to EN 837-1/5

Pressure ranges: 0 to 0.6/1/1.6/2.5/4/6/10/16/25/40/60/100/160/250/400/600/1000 bar

Vacuum range: -1 to 0 bar

Compound pressure: -1 to 0.6/1.5/3/5/9/15/24 bar

Operating Temperature:

Ambient: -40 °C to 60 °C

medium: 200 °C maximum

Material Specification:

Case : 304 stainless steel case and flat bayonet ring Window: laminated safety glass

Wetted parts: 316 stainless steel bourdon tube and connection, TIG welding between case and connection, square connection

Movement: 304 stainless steel

Standard filling: glycerin

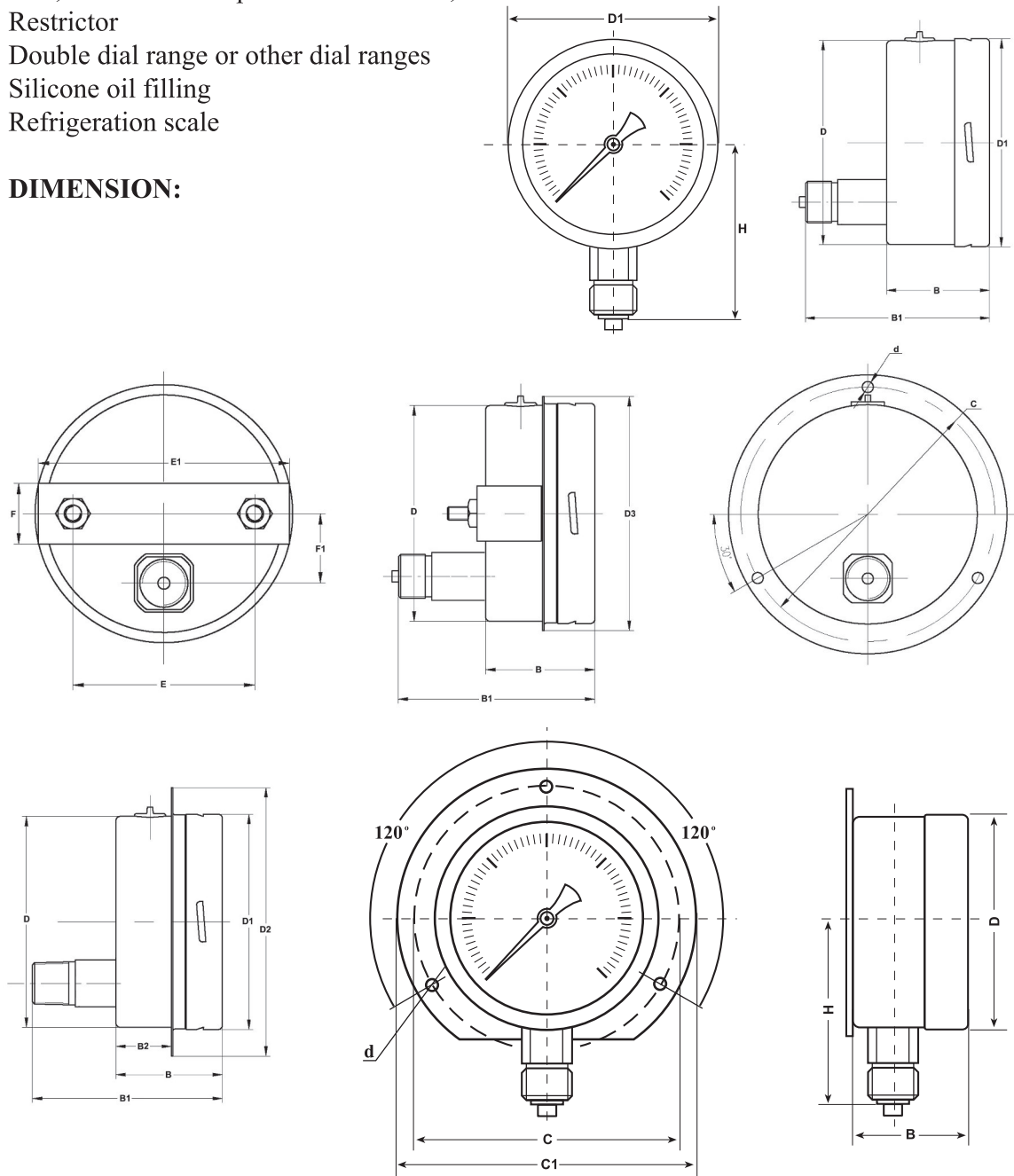
Dial: aluminum, white back ground, black letters

Pointer: stainless steel, black finish



Options:
 BSP, BSPT or other process connection,
 Restrictor
 Double dial range or other dial ranges
 Silicone oil filling
 Refrigeration scale

DIMENSION:



DIAL SIZE	D	D1	D2	D3	H	B	B1	C	C1	E	E1	F	F1	d
2.5"	62	64	85	-	54	34	57	∅77	∅85	-	-	-	-	∅3.5
4"	99	101	128	107.5	83	49	83	∅118.5	∅128	76	76	25.5	29	∅5
6"	147	149	-	-	108	49	83	∅161	∅181	-	-	-	-	∅5
8"	198	200	-	-	144.5	49	-	-	-	-	-	-	-	-
10"	248	250	-	-	169.5	49	-	-	-	-	-	-	-	-

dimensions are approximate and can be changed without prior notice