



HASTINGS

A WORLDWIDE SUPPLIER OF
Hot Line Tools & Equipment

HOT LINE TOOLS & EQUIPMENT



email hastings@hfgp.com
phone 269.945.9541
web www.hfgp.com

55
YEARS
1959 - 2014

Safety:

Isolating a worker from hazardous voltage is a serious business and one in which Hastings prides itself in being a leader. From the raw material we purchase to the processes and equipment used to shape the material, to the procedures and standards used to make and test the final product, Quality is the first requirement. Our fiberglass is the finest quality in the industry, made in the USA, will withstand 100KV per foot, will not absorb moisture, and is very durable.

Standards:

We manufacture our product to meet a variety of industry standards including ASTM, IEC and OSHA. While OSHA is the only required standard, we test to the specifications of all these standards.

Quality:

We pride ourselves with the quality of our service and our products. Our fiberglass is just one product line that exemplifies this level of commitment to quality. In the case of hot line tools, an issue with quality could relate directly to a safety issue and therefore cannot be tolerated.

Material:

All the glass used in our product is electrical grade. Our resins are selected for the best properties of UV resistance, moisture resistance, strength, dielectric properties, and light weight. Our incoming raw material is tested, additional test occur during production, and the completed fiberglass pole is tested. Testing doesn't make the product better, it verifies that the product is consistent from run to run and will perform as expected in the field.

Experience:

Hastings works closely with the utility industry in solving application problems and providing training in the proper use of our equipment. Through our close contact with our customers, we stay in touch with their needs and this guides our efforts at future product designs. Hastings also participates with the development of industry standards.

Ratings:

100 percent of the fiberglass pole we produce is tested to meet the 100kV per foot testing standards. This allows completed tools made from this fiberglass to be used at the minimum clear insulation distances specified by OSHA as shown below. Our quality combined with industry standards for minimum clear insulation distances gives the users an additional safety factor.

VOLTAGE RANGE (phase to phase) (kilovolt)	MINIMUM WORKING AND CLEAR HOT STICK DISTANCE
2.1 to 15	2 ft. 0 in.
15.1 to 35	2 ft. 4 in.
35.1 to 46	2 ft. 6 in.
46.1 to 72.5	3 ft. 0 in.
72.6 to 121	3 ft. 4 in.
138 to 145	3 ft. 6 in.
161 to 169	3 ft. 8 in.
230 to 242	5 ft. 0 in.
345 to 362	(1) 7ft. 0 in.
500 to 552	(1) 11 ft. 0 in.
700 to 765	(1) 15 ft. 0 in.

Footnote (1) NOTE: For 345-362 kv., 500-552 kv., and 700-765 kv., minimum clear hot stick distance may be reduced provided that such distances are not less than the shortest distance between the energized part and the grounded surface.

CAUTION: THE PRODUCTS WE SUPPLY ARE INTENDED TO BE USED AND SERVICED ONLY BY PROFESSIONAL PERSONNEL WHO HAVE BEEN TRAINED IN PROPER WORK AND SAFETY PRACTICES RELATING TO THE USE OF THIS TYPE OF PRODUCT. THE INFORMATION PROVIDED ON THE PRODUCTS DOES NOT COVER EVERY POSSIBLE CONTINGENCY TO BE ENCOUNTERED AND IT IS NOT INTENDED TO BE USED AS A SUBSTITUTE FOR ADEQUATE TRAINING AND EXPERIENCE. IF SPECIFIC SITUATIONS OR QUESTIONS ARISE REGARDING THE USE OF THE PRODUCTS OR, IF ADDITIONAL INFORMATION IS REQUIRED, PHONE OR WRITE THE FACTORY BEFORE PROCEEDING.

TERMS AND CONDITIONS OF SALE

All sales by Hastings Fiber Glass Products, Inc. are subject to the following terms and conditions, as well as the other terms contained in our full Terms and Conditions of Sale, which are available upon request. We object to and will not agree to any terms that are additional to or different from these terms.

Quotations; Prices; Orders. Written quotations automatically expire 30 calendar days from the date of issue unless sooner terminated by notice. Prices are based on standard catalogue items, packaged, marked and tested in line with our stated company policy. Prices are subject to change without notice. Price at which the products will be billed will be that which is published or in general effect when shipment is made. Prices do not include Federal, State or Municipal Taxes. All orders are subject to our approval and acceptance. All orders are subject to a minimum order charge of \$50.00 for all products except parts, which are subject to a minimum order charge of \$25.00.

Delivery. Delivery shall be F.O.B. our factory in Hastings, Michigan. Shipping charges are prepaid and will be added to Buyer's invoice. Shipping dates are estimates only. If we are unable to finish and ship the products to Buyer on time because of anything we cannot control, then the estimated delivery time will be extended and we will not be liable to Buyer for the delay. Stenographic, clerical and billing errors are subject to corrections. Authorized returns are subject to a minimum 20% restocking charge.

Defects; Remedies. We will repair or replace, at our option, any product we manufactured that has not been subject to misuse, abuse or improper application and which proves to be defective in materials or workmanship such that the value of the product to Buyer is materially impaired within one year from date of shipment. If Buyer approved drawings of, specifications for, or a sample of the product, then the product shall not be defective to the extent that it conforms thereto. Buyer shall be responsible for packing, shipping and transportation costs for returning products to us. No products shall be returned to us without our prior written consent. The acceptance of any product returned to us shall not be deemed an admission that the products are defective or in breach of any warranty, and if we determine that the products are not defective, they may be returned to Buyer at Buyer's expense. If we fail to repair or replace any defective product within a reasonable time, then we will be liable to Buyer for the lesser of (i) the reasonable cost of repair or replacement by a third party or (ii) that part of the purchase price of the defective product that has been paid by Buyer, but Buyer shall not obtain repair or replacement by a third party without giving us at least 15 days prior written notice. This paragraph sets forth Buyer's sole and exclusive remedies for any defect in the products. No warranty is made with respect to any item (including, but not limited to, equipment, accessories, component parts or auxiliary equipment) we did not manufacture. We shall in no event be responsible or liable for modifications, alterations, misapplication or repairs made to our products by Buyer or any third party, or for damage caused by negligence, accident, overloading or improper use of the products by Buyer or any third party. Only our authorized officer may modify, expand or extend this warranty, waive and of its limitations or exclusions, or make any different or additional warranties with respect to the products, and then only in a signed writing. On any resale of the products, Buyer shall contractually limit its buyer's rights and remedies against both Buyer and us to the same extent as Buyer's rights and remedies are limited under this Agreement. Products are sold with the express understanding that their life and fitness for purpose are indeterminate and largely depend on application and operating circumstances and continuing maintenance.

Limitations. EXCEPT AS STATED ABOVE, WE MAKE NO WARRANTIES AS TO THE PRODUCTS AND, IN PARTICULAR, MAKE NO WARRANTIES OF MERCHANTABILITY OR FITNESS FOR ANY PARTICULAR PURPOSE, AND BUYER IS SOLELY RESPONSIBLE FOR DETERMINING THE PROPER APPLICATION AND USE OF THE PRODUCTS. WE WILL NOT HAVE ANY TORT LIABILITY TO BUYER WITH RESPECT TO ANY OF THE PRODUCTS AND WILL NOT BE LIABLE FOR CONSEQUENTIAL, INCIDENTAL, SPECIAL, EXEMPLARY, INDIRECT OR PUNITIVE DAMAGES ARISING FROM ANY PRODUCT DEFECT, DELAY, NONDELIVERY, RECALL OR OTHER BREACH. Buyer must bring any claim, suit or other proceeding arising out of this Agreement or relating to the products within one year from the date of the breach.

Design Changes. We reserve the right to incorporate new design or improvements on the products or their component parts without obligation in regards to a customer's existing stock.

Buyer Obligations. Buyer shall indemnify us and hold us harmless, and if we so request defend us, with respect to all costs, damages, losses, claims, judgments, and expenses, including attorney fees, that we incur as a result of or in connection with (a) any act, omission or use of the products by Buyer, its employees, or its customers; (b) any breach by Buyer of any of its obligations under this agreement; (c) any claimed unfair competition, or any claimed patent, trademark, or copyright infringement, or any claimed infringement of any other proprietary right; or (d) any other claim resulting from our manufacture of the products to Buyer's specifications.

Miscellaneous. Any sale of products to Buyer shall be considered to have been made in, and shall be governed by and interpreted according to the laws of, the State of Michigan, and any action relating to the same may be brought in any federal or state court located in Barry or Kent County, Michigan. Any agreement to purchase goods shall be binding upon us and upon Buyer, and upon our respective legal representatives, successors and assigns.

Caution: The products we supply are intended to be used and serviced only by professional personnel who have been trained in proper work and safety practices relating to the use of this type of product. The information provided on the products does not cover every possible contingency to be encountered and it is not intended to be used as a substitute for adequate training and experience. If specific situations or questions arise regarding the use of the products or, if additional information is required, phone or write the factory before proceeding.



01

Hot Sticks & Cutters

TELESCOPING HOT STICKS

The original Tel-O-Pole® Hot Stick is designed for long reach, speed, convenience and safety. All sections are fabricated with reinforced electrical grade fiberglass, for greater strength and high dielectric properties.

FEATURES AND BENEFITS:

- For opening and closing disconnect switches
- Replacing fuses on transformers
- Pruning tree limbs
- Fluorescent green tip section is highly visible and has a foam core
- Several models and lengths available

STANDARD TEL-O-POLE® HOT STICK

This style stick can be locked at each length listed.

The tip diameter for this model is 7/8". Tip section will not interlock.

CAT NO	EXTENDED	RETRACTED	BASE DIA	LBS	CASE
S-212	12'	44"	1 5/8"	3.8	C-212
S-216	12'4" - 16'	56"	1 5/8"	4.5	C-30
S-220	17' - 20'	58"	1 7/8"	5.5	C-30
S-225	17' -21' - 25.5'	60"	2 3/16"	7.0	C-30
S-230	17' -21.5' -26' -30'	61 5/8"	2 3/8"	8.8	C-30
S-235	17' -21.5' -26' -30' - 35'	63 3/8"	2 11/16"	11.0	C-35
S-240	22' -26' -30' -35' -40'	65 3/8"	2 7/8"	13.9	C-40

TEL-O-POLE® HOT STICK WITH TIP LOCK FEATURE

Tip retracts and locks into next larger section.

The tip diameter for this model (extended) is 7/8" or (retracted) is 1 3/32".

CAT NO	EXTENDED	RETRACTED	BASE DIA	LBS	CASE
ST-225	17'-21'-25.5'	60"	2 3/16"	7.0	C-30
ST-230	17'-21.5'-26'-30'	61 5/8"	2 3/8"	8.8	C-30
ST-235	17'-21.5'-26'-30'-35'	63 3/8"	2 11/16"	11.0	C-35
ST-240	22'-26'-30'-35'-40'	65 3/5"	2 7/8"	13.9	C-40

HEAVY DUTY TEL-O-POLE® HOT STICK

The tip diameter for this model is 1 3/32". All sections will interlock.

CAT NO	EXTENDED	RETRACTED	BASE DIA	LBS	CASE
SH-216	9'-13'-17'	58 1/8"	1 7/8"	4.8	C-30
SH-200	13'-17.5'-21.5'	60"	2 3/16"	6.5	C-30
SH-250	13'-17.5'-21.5'-26'	61 5/8"	2 3/8"	8.3	C-30
SH-230	13'-17.5'-21.5'-26'-30'	63 3/8"	2 11/16"	10.3	C-35
SH-235	17'-21.5'-26'-30'-35'	63 3/8"	2 11/16"	11.0	C-35

EXTENSION SECTION

The extension section mounts on universal end to get additional length.

CAT NO	LENGTH	LBS
839-2	56"	2.0

**ST-235****839-2**



HV-235

TEL-O-POLE® II

The “No Twist” stick has a unique triangular design.
All models are heavy duty.

FEATURES AND BENEFITS:

- Triangle shape enables each section to “lock in automatically”, no need to search for the button
- Fluorescent green tip section is highly visible and has a foam core
- Sections can be removed or added to make the stick the preferred length.
Example: HV-235 remove 4 sections to make it 20 ft instead of 35 ft
- Ergonomic design gives the operator a better gripping surface for better control
- All sections have a smooth glossy surface for routine cleaning and waxing

CAT NO	EXTENDED	RETRACTED	BASE DIA	LBS	CASE
HV-212	12' 7"	58"	1.45"	3.7	C-30
HV-216	16' 9"	60"	1.61"	5.0	C-30
HV-220	21'	62"	1.75"	6.4	C-30
HV-225	25' 6"	64"	1.91"	8.1	C-40
HV-230	30'	66"	2.07"	10.0	C-40
HV-235	35'	68"	2.22"	12.1	C-40
HV-240	39' 6"	69"	2.38"	14.4	C-40

PATENT NO. US 8,469,423



Locking Button Top View



End View showing Triangular Shape

TEL-O-POLE® BUCKET STICKS AND CANISTERS

Ideal for quick access for linemen working out of a bucket truck.

FEATURES AND BENEFITS:

- Stick collapses below lip of bucket
- Bucket sticks are available in 8' and 12'
- Light weight bucket storage canister available for both models
- Snap on lid secured with lanyard

CAT NO	EXTENDED	RETRACTED	BASE DIA	LBS	CASE
HV-208	8'	26"	1.75"	3.0	C-208
HV-312	12'	37"	1.61"	4.3	C-212
06-185	FITS HV-208			3.8	
06-186	FITS HV-312			5.1	

PATENT NO. US 8,469,423



HV-312
06-186

HV-208
06-185

TEL-O-POLE® MEASURING STICKS

Safely measure vertical heights. Available in English or Metric graduations. Used to measure overhead lines, telephone, cable-TV, highway clearances, and structures.

FEATURE AND BENEFITS:

- Eye-level reading, no calculations required, the read-height is shown at the top of the base section
- Positive locking buttons, spring-loaded, fast accurate and easy to extend
- Standardized parts for quick and easy repair and replacement

CAT NO	EXTENDED	RETRACTED	WEIGHT	CASE
E-25	25'	65 3/4"	3.2 lbs.	C-35
E-30	30'	65 3/4"	4.5 lbs.	C-35
E-35	35'	65 3/4"	5.9 lbs.	C-35
E-40	40'	65 3/4"	7.5 lbs.	C-35
E-50	50'	69 3/16"	13.2 lbs.	C-40
M-25	7.5 METERS	1.67 METERS	1.5 kg.	C-35
M-35	10.5 METERS	1.67 METERS	2.7 kg.	C-35
M-40	12 METERS	1.67 METERS	3.4 kg.	C-35
M-50	15 METERS	1.76 METERS	6.0 kg.	C-40

COMBINATION TEL-O-POLE® HOT STICK AND MEASURING STICK

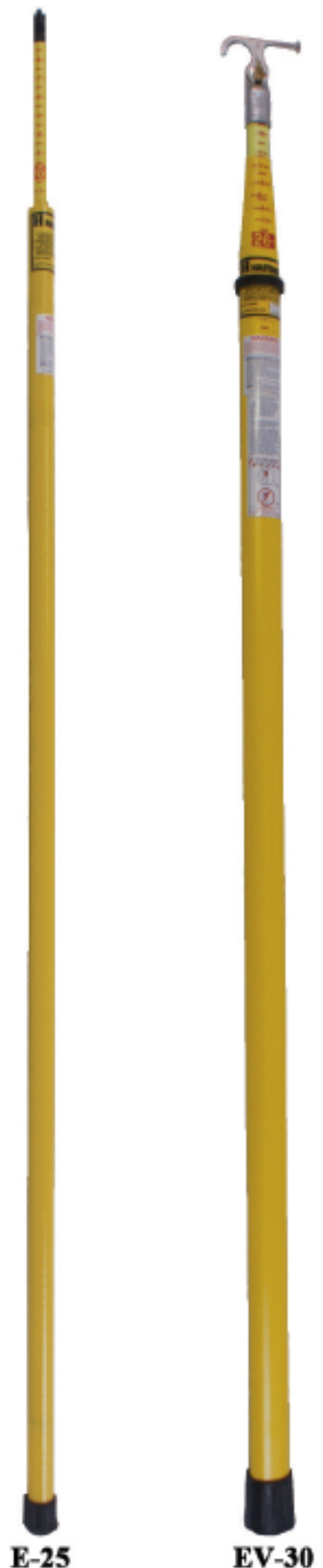
One stick does it all, the heavy duty Tel-O-Pole II and Measuring Stick, all in one. Available in English or Metric graduations.

FEATURES AND BENEFITS:

- Open and close switches, disconnects, line fuses, cut outs, as well as measure elevated heights
- Eye-level reading, no calculations required, the read-height is shown at the top of the base section
- Markings are printed in large easy to read numbers
- English models are in feet and inches
- Metric models are in meters and centimeters

CAT NO	EXTENDED	RETRACTED	BASE DIA	WEIGHT	CASE
EV-25	25' 6"	64"	1.91"	8.1 lbs.	C-40
EV-30	30'	66"	2.07"	10.0 lbs.	C-40
EV-35	35'	68"	2.22"	12.1 lbs.	C-40
EV-40	39' 6"	69"	2.38"	14.4 lbs.	C-40
MV-25	7.8 METERS	1.63 METERS	4.85 cm	3.7 kg.	C-40
MV-30	9.2 METERS	1.68 METERS	5.25 cm	4.5 kg.	C-40
MV-35	10.6 METERS	1.72 METERS	5.6 cm	5.5 kg.	C-40
MV-40	12 METERS	1.75 METERS	6.04 cm	6.5 kg.	C-40

PATENT NO. US 8,469,423



TEL-O-POLE® TRUCKERS LOAD HEIGHT STICK

Ideal for measuring truck loads.

FEATURES AND BENEFITS:

- 15' Length fully extended
- 4' Arm folds down for storage

CAT NO	EXTENDED	RETRACTED	LBS	CASE
E-15-1	15'	67 1/2"	3.0	C-40

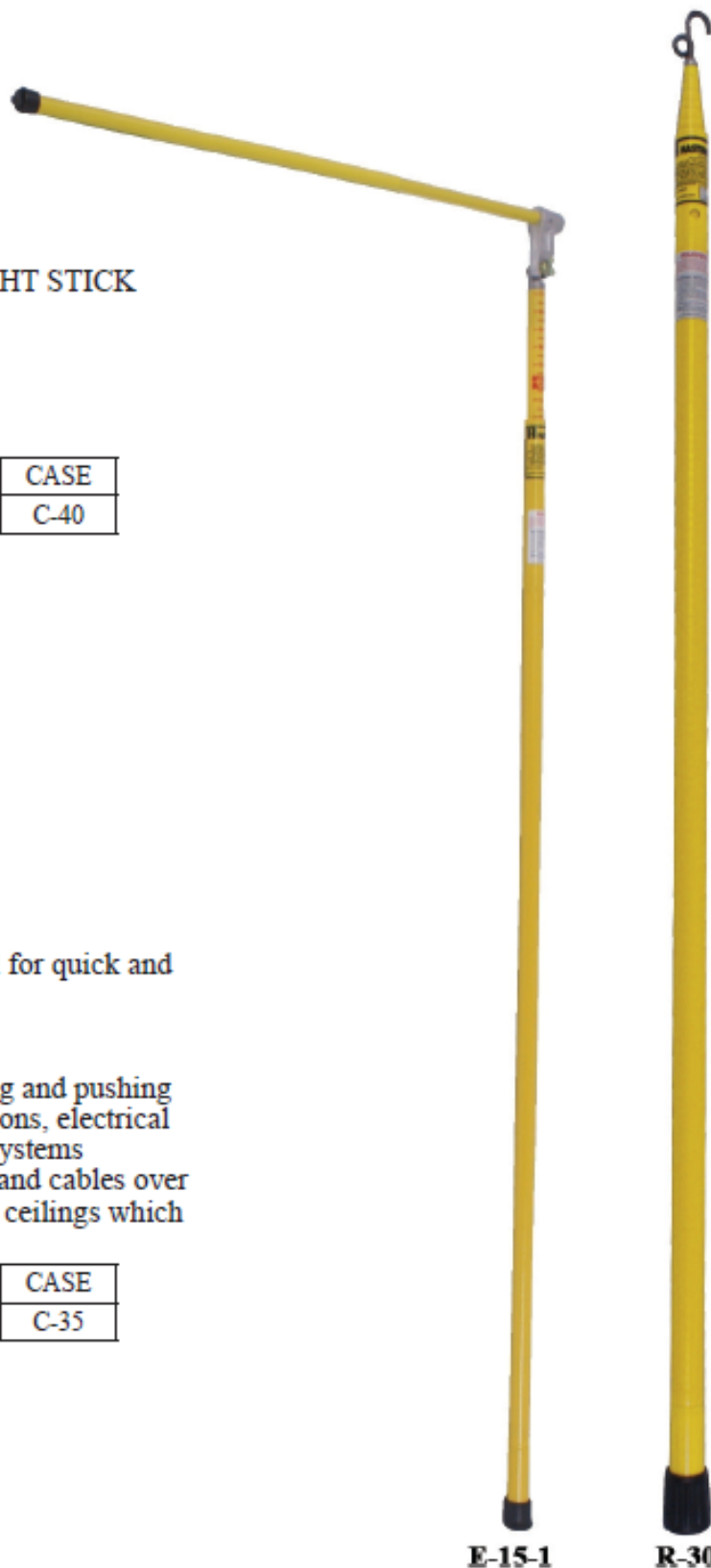
TEL-O-POLE® RE TRE VER POLE

Light weight non-conductive telescopic tool for quick and easy installation of wire and cables.

FEATURES AND BENEFITS:

- Combination hook and eye tip for pulling and pushing
- Ideal for installation of telecommunications, electrical systems, sound systems, and computer systems
- Easy to use, user can push or pull wires and cables over dropped ceilings, rafters, and suspended ceilings which are difficult to access

CAT NO	EXTENDED	RETRACTED	LBS	CASE
R-30	30'	63 1/2"	3.5	C-35



E-15-1

R-30

LAMP CHANGER TEL-O-POLE®

The lamp changer pole is telescopic, light weight, reinforced, and made of non conductive fiberglass construction. Snap out the length you need. Adaptable to McGill type changers and broken socket removers.

CAT NO	EXTENDED	RETRACTED	LBS	CASE
L-20	21' 7"	58 3/4"	3.0	C-30
L-35	36' 1"	64"	7.0	C-35



151-CA

FOR USE WITH LAMP CHANGER POLES

CAT NO	LAMP SIZE	LBS
151-CA	100 - 200W	0.5
152-C	300 - 500W	0.6
153-C	750 - 1500W	0.6
154-C	400W T-16 MERCURY LAMP	0.5
161-C	175W MERCURY LAMP	0.5
200	BROKEN LAMP BASE REMOVER	0.2
P10035	ADAPTER TO MODIFY THE LAMP CHANGER ACCESSORIES TO FIT THE UNIVERSAL POLES	0.2
OTHER SIZES AVAILABLE - CONTACT FACTORY		



154-AC

FOR USE WITH ALL UNIVERSAL STICKS

CAT NO	LAMP SIZE	LBS
151-ACA	100 - 200W	0.8
152-AC	300 - 500W	0.8
153-AC	750 - 1500W	0.8
154-AC	400W T-16 MERCURY LAMP	0.7
161-AC	175W MERCURY LAMP	0.7
200-A	BROKEN LAMP BASE REMOVER	0.5
A10014	ADAPTER TO MODIFY A UNIVERSAL STICK TO USE THE LAMP CHANGER POLE ACCESSORIES	0.5
OTHER SIZES AVAILABLE - CONTACT FACTORY		



200



L-35



7013

7014

7013 Spring is for use with 150, 151, 154, 161 Lamp Changers
 7014 Spring is for use with 152, 153, 156, 158 Lamp Changers

SWITCH HEAD STICK

- Switch heads are made of bronze
- Designed to NEMA standards

FT	1 1/4" DIAMETER		1 1/2" DIAMETER	
	CAT NO	LBS	CAT NO	LBS
4	460-4	1.5	-----	-----
6	460-6	2.3	462-6	2.8
8	460-8	3.0	462-8	3.6
10	460-10	3.2	462-10	4.8
12	460-12	3.5	462-12	6.5
14	-----	-----	462-14	7.3
16	-----	-----	462-16	8.2
18	-----	-----	462-18	9.1
20	-----	-----	462-20	10.0

DISCONNECT HEAD STICK

- Heavy duty
- For large switches and disconnects

FT	1 1/4" DIAMETER		1 1/2" DIAMETER	
	CAT NO	LBS	CAT NO	LBS
4	461-4	1.6	-----	-----
6	461-6	2.4	541-6	3.1
8	461-8	3.6	541-8	3.7
10	461-10	4.8	541-10	4.9
12	461-12	6.5	541-12	6.6
14	-----	-----	541-14	7.4
16	-----	-----	541-16	8.3
18	-----	-----	541-18	9.2
20	-----	-----	541-20	10.1

UNIVERSAL HEAD STICK

- Can adapt with any universal tool found in the Hotstick Accessories Section

FT	1 1/4" DIAMETER		1 1/2" DIAMETER	
	CAT NO	LBS	CAT NO	LBS
4	567-4	1.4	-----	-----
6	567-6	1.7	-----	-----
8	567-8	2.6	-----	-----
10	567-10	3.3	469-10	4.5
12	567-12	4.0	469-12	6.5
14	-----	-----	469-14	7.3
16	-----	-----	469-16	8.3
18	-----	-----	469-18	9.2
20	-----	-----	469-20	10.1

INSULATED HEAD STICK

- For confined spaces and tight switch gear
- Prong is made of solid fiberglass material

FT	1 1/4" DIAMETER		1 1/2" DIAMETER	
	CAT NO	LBS	CAT NO	LBS
4	501-4	1.2	-----	-----
6	501-6	2.1	502-6	2.3
8	501-8	2.6	502-8	3.1
10	501-10	3.5	502-10	4.3
12	501-12	4.3	502-12	5.2
14	-----	-----	502-14	6.2
16	-----	-----	502-16	7.1
18	-----	-----	502-18	8.1



460-4



461-4



501-4

SUBSTATION ADJUSTABLE LENGTH DISCONNECT TEL-O-POLE® STICKS

Designed for use in close confines of substations

FEATURES AND BENEFITS:

- Round Stick with HASTINGS Square Button design prevents button shearing under heavy load
- Eliminates problem of threading long sticks through substation structure
- Eliminates multiple length stick requirements, sticks are adjustable to length in one foot increments
- Top section is conventional 1 1/4" diameter Hot Stick. Can be removed for use as single one piece Hot Stick. Base section is 1 1/2" diameter.
- Extended length is shown at each lock position for reference
- Safe guard design, top section must extend beyond base before lock will engage, giving full protection of fire retardant unicellular core (See information on collapsed and minimum usable length)
- Available with standard disconnect head, switch head, or universal head

DISCONNECT HEAD	SWITCH HEAD	UNIVERSAL HEAD				
CAT NO	CAT NO	CAT NO	EXTENDED LENGTH	MINIMUM USABLE LENGTH	COLLAPSED LENGTH	LBS
3114	3115	3116	14'	10'	8' 4"	5.5
3118	3119	3120	18'	12'	10' 4"	7.5
3121	3122	3123	20'	14'	12' 4"	9.5
		H-10	9' 6"	5' 4"	5'	4.2

CARRYING CASES

- Made from durable water resistant nylon reinforced vinyl
- All cases include a snap type flap and carrying handles

CARRYING CASES FOR 1 1/4" AND 1 1/2" DIAMETER STICKS				
LENGTH OF STICK	SINGLE POCKET	TWO POCKET	THREE POCKET	FOUR POCKET
2'	-----	-----	C-432	C-442
4'	C-414	C-424	C-434	C-444
6'	C-416	C-426	C-436	C-446
8'	C-418	C-428	-----	-----
10'	C-8110	-----	-----	-----
12'	C-8112	-----	-----	-----



C-424



H-10

SPLICED SWITCH AND DISCONNECT STICKS

- Eliminates storage problems and duplication of tools
- Choose top section and base section and add extension sections as needed for extra length
- Switch and disconnect heads are made from bronze alloy
- Insulated head is fiberglass



5460-2



5461-2



5467-2



5462-2



546-2



552-4

	SWITCH HEAD				INSULATED HEAD				DISCONNECT HEAD			
	1 1/4" DIA		1 1/2" DIA		1 1/4" DIA		1 1/2" DIA		1 1/4" DIA		1 1/2" DIA	
FT	CAT NO	LBS	CAT NO	LBS	CAT NO	LBS	CAT NO	LBS	CAT NO	LBS	CAT NO	LBS
2	5460-2	1.0	-----	-----	5462-2	0.8	-----	-----	5461-2	1.1	-----	-----
4	5460-4	1.6	5540-4	2.3	5462-4	1.4	5542-4	2.2	5461-4	1.8	5541-4	2.3
6	5460-6	2.0	5540-6	3.4	5462-6	1.8	5542-6	3.0	5461-6	2.1	5541-6	3.4
8	5460-8	2.6	5540-8	4.5	5462-8	2.2	5542-8	4.2	5461-8	2.8	5541-8	4.5
10	-----	-----	5540-10	6.0	-----	-----	5542-10	5.8	-----	-----	5541-10	6.0

	UNIVERSAL HEAD				BASE SECTIONS				EXTENSION SECTIONS			
	1 1/4" DIA		1 1/2" DIA		1 1/4" DIA		1 1/2" DIA		1 1/4" DIA		1 1/2" DIA	
FT	CAT NO	LBS	CAT NO	LBS	CAT NO	LBS	CAT NO	LBS	CAT NO	LBS	CAT NO	LBS
2	5467-2	1.3	-----	-----	-----	-----	-----	-----	546-2	1.0	-----	-----
4	5467-4	2.0	5547-4	2.3	552-4	1.5	5553-4	1.8	546-4	1.2	5546-4	2.0
6	5467-6	2.3	5547-6	3.4	552-6	2.0	5553-6	2.7	546-6	2.0	5546-6	3.0
8	5467-8	3.1	5547-8	4.5	552-8	2.7	5553-8	3.6	546-8	2.5	5546-8	4.1
10	-----	-----	5547-10	6.0	552-10	3.5	5553-10	4.5	-----	-----	5546-10	5.3



A10011



A10012



5556



A18007

SNAP ON ADAPTERS

CAT NO	DESCRIPTION
A10012	MALE UNIVERSAL ADAPTER FOR 1 1/4" STICK
A10025	MALE UNIVERSAL ADAPTER FOR 1 1/2" STICK
5556	MALE DISCONNECT HEAD ADAPTER FOR 1 1/4" STICK
5558	MALE DISCONNECT HEAD ADAPTER FOR 1 1/2" STICK
A10011	FEMALE UNIVERSAL ADAPTER FOR 1 1/4" STICK
A10026	FEMALE UNIVERSAL ADAPTER FOR 1 1/2" STICK
A18007	FEMALE BASE CAP FOR 1 1/4" STICK
A18008	FEMALE BASE CAP FOR 1 1/2" STICK

SPLICED SWITCH AND DISCONNECT STICKS

- Available with fiberglass splice
- Provides convenient storage - eliminates long one piece sticks

TWO SECTION SWITCH STICK WITH FIBERGLASS SPLICE AND DISCONNECT HEAD

CAT NO	OVERALL LENGTH	TIP SECTION	BASE SECTION	LBS
382	12'	1 1/2" x 6'	1 1/2" x 6'	4.8
383	14'	1 1/2" x 6'	1 1/2" x 8'	5.6
384	16'	1 1/2" x 8'	1 1/2" x 8'	6.5
385	18'	1 1/2" x 8'	1 1/2" x 10'	7.4
386	20'	1 1/2" x 10'	1 1/2" x 10'	8.3

THREE SECTION SWITCH STICK WITH FIBERGLASS SPLICE AND DISCONNECT HEAD

CAT NO	OVERALL LENGTH	TIP SECTION	MIDDLE SECTION	BASE SECTION	LBS
522	18'	1 1/2" x 6'	1 1/2" x 6'	1 1/2" x 6'	8.3
523	20'	1 1/2" x 8'	1 1/2" x 6'	1 1/2" x 6'	9.2



TWO SECTION SWITCH STICK WITH FIBERGLASS SPLICE AND UNIVERSAL HEAD

CAT NO	OVERALL LENGTH	TIP SECTION	BASE SECTION	LBS
388	12'	1 1/2" x 6'	1 1/2" x 6'	4.6
389	14'	1 1/2" x 6'	1 1/2" x 8'	5.4
387	16'	1 1/2" x 8'	1 1/2" x 8'	6.3
391	18'	1 1/2" x 8'	1 1/2" x 10'	7.2
392	20'	1 1/2" x 10'	1 1/2" x 10'	8.1

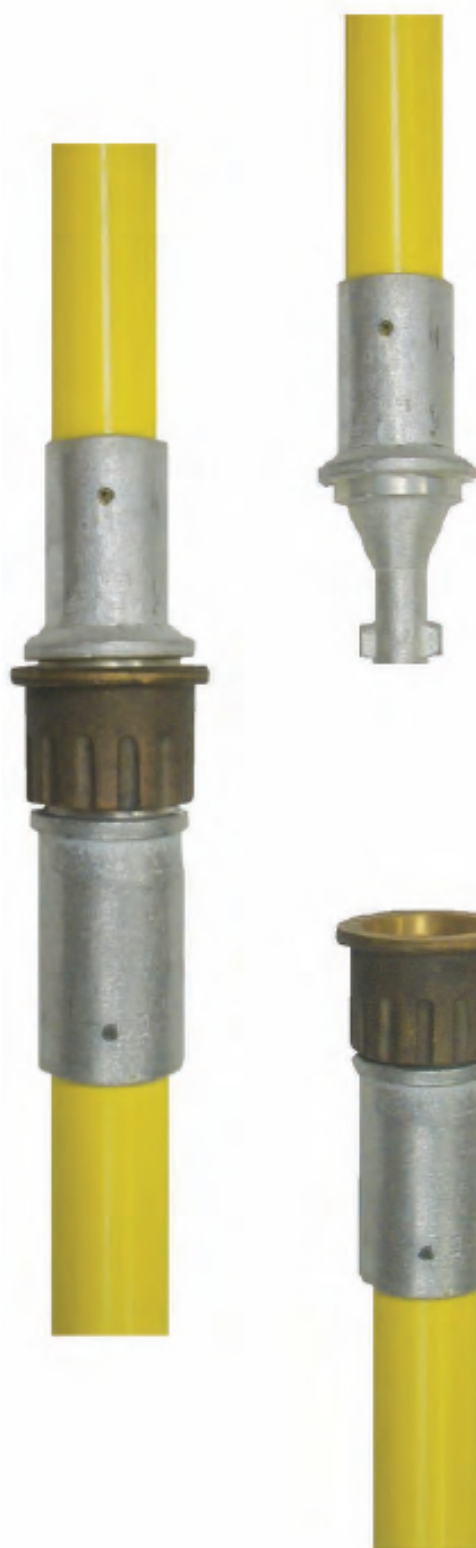
THREE SECTION STICK WITH FIBERGLASS SPLICE AND UNIVERSAL HEAD

CAT NO	OVERALL LENGTH	TIP SECTION	MIDDLE SECTION	BASE SECTION	LBS
520	18'	1 1/2" x 6'	1 1/2" x 6'	1 1/2" x 6'	8.3
521	20'	1 1/2" x 8'	1 1/2" x 6'	1 1/2" x 6'	9.2



SPLICED SWITCH AND DISCONNECT STICKS

- Available with metal splice ferrules
- Stepped sections allows for long lengths and maintains rigidity
- Provides convenient storage - eliminates long one piece sticks



TWO SECTION SWITCH STICK WITH METAL SPLICE AND DISCONNECT HEAD

CAT NO	OVERALL LENGTH	TIP SECTION	BASE SECTION	LBS
20923	12'	1 1/4" x 6'	1 1/2" x 6'	6.2
20924	14'	1 1/4" x 6'	1 1/2" x 8'	6.5
20925	16'	1 1/4" x 8'	1 1/2" x 8'	7.5
20926	18'	1 1/4" x 8'	1 1/2" x 10'	8.3
20927	20'	1 1/4" x 10'	1 1/2" x 10'	8.8

THREE SECTION SWITCH STICK WITH METAL SPLICE AND DISCONNECT HEAD

CAT NO	OVERALL LENGTH	TIP SECTION	MIDDLE SECTION	BASE SECTION	LBS
20932	18'	1 1/4" x 6'	1 1/2" x 6'	1 1/2" x 6'	9.9
20933	20'	1 1/4" x 8'	1 1/2" x 6'	1 1/2" x 6'	11.5
20934	24'	1 1/2" x 8'	1 3/4" x 8'	1 3/4" x 8'	17.3

TWO SECTION STICK WITH METAL SPLICE AND UNIVERSAL HEAD

CAT NO	OVERALL LENGTH	TIP SECTION	BASE SECTION	LBS
20938	12'	1 1/4" X 6'	1 1/2" x 6'	5.1
20939	14'	1 1/4" x 6'	1 1/2" x 8'	5.7
20940	16'	1 1/4" x 8'	1 1/2" x 8'	6.2
20941	18'	1 1/4" x 8'	1 1/2" x 10'	6.8
20942	20'	1 1/4" x 10'	1 1/2" x 10'	7.3

THREE SECTION STICK WITH METAL SPLICE AND UNIVERSAL HEAD

CAT NO	OVERALL LENGTH	TIP SECTION	MIDDLE SECTION	BASE SECTION	LBS
20947	18'	1 1/4" x 6'	1 1/2" x 6'	1 1/2" x 6'	8.4
20948	20'	1 1/4" x 8'	1 1/2" x 6'	1 1/2" x 6'	8.9
20949	24'	1 1/2" x 8'	1 3/4" x 8'	1 3/4" x 8'	9.9

UNIVERSAL HOT STICKS

- Sticks with universal head adapts to all standard universal fit on tools (See the Hotstick Accessories section of our catalog)
- All sticks include a hanger hook

UNIVERSAL - ONE END ONLY				
	1 1/4" DIAMETER		1 1/2" DIAMETER	
FT	CAT NO	LBS	CAT NO	LBS
4	567-4	2.2	-----	-----
6	567-6	3.0	-----	-----
8	567-8	3.8	-----	-----
10	567-10	4.6	469-10	4.9
12	567-12	5.4	469-12	6.9
14	-----	-----	469-14	7.6
16	-----	-----	469-16	8.5
20	-----	-----	469-20	10.2

UNIVERSAL - BOTH ENDS				
	1 1/4" DIAMETER		1 1/2" DIAMETER	
FT	CAT NO	LBS	CAT NO	LBS
4	4678-4	2.8	-----	-----
6	4678-6	3.3	-----	-----
8	4678-8	4.1	4680-8	5.7
10	4678-10	5.0	4680-10	6.4
12	4678-12	5.8	4680-12	8.2
14	-----	-----	4680-14	10.0



TRIANGULAR SHAPE UNIVERSAL STICKS

Lightweight, strong, and easy to use.

FEATURES AND BENEFITS:

- Foam Filled
- Fluorescent green color for high visibility
- Ergonomic design gives the operator a better gripping surface for control
- All sticks include a hanger hook

CAT NO	DESCRIPTION	LBS
4679-6	6' DOUBLE END UNIVERSAL STICK	3.2
4679-8	8' DOUBLE END UNIVERSAL STICK	3.8
4679-10	10' DOUBLE END UNIVERSAL STICK	4.2
4679-12	12' DOUBLE END UNIVERSAL STICK	4.7



End view showing actual outside shape and dimension



UNIVERSAL TIE STICKS

All sticks are equipped with combination hanger hook and tie wire assistant.

FEATURES AND BENEFITS:

- Rotary Blade - The rotary blade tie stick head produces a swivel action that enables wire to be moved greater distance without disengaging tool.
- Rotary Prong - Use the rotary prong tie stick head for applying new tie wires with loops. Rotary action of prong provides ease and speed in operation.
- Double Prong - Use the double prong tie stick head for installing and removing looped end ties. Double prongs are especially useful for bailing wire for safe removal.
- Rotary Blade
- Rotary Prong
- Double Prong
- Available in various combinations - see below.



4683-6



Rotary Blade



Rotary Prong



Double Prong

DOUBLE & SINGLE END STICKS	CAT NO	CAT NO
	1 1/4" DIA x 6'	1 1/4" DIA x 8'
ROTARY BLADE & UNIVERSAL HEAD	4684-6	4684-8
ROTARY PRONG & UNIVERSAL HEAD	4682-6	4682-8
DOUBLE PRONG & UNIVERSAL HEAD	4685-6	4685-8
ROTARY BLADE - OPPOSITE END CAPPED	4687-6	4687-8
ROTARY PRONG - OPPOSITE END CAPPED	4681-6	4681-8
DOUBLE PRONG - OPPOSITE END CAPPED	4688-6	4688-8
ROTARY PRONG & ROTARY BLADE	4683-6	4683-8

MULTI-PURPOSE HOLDING TOOL

For holding slack conductors during sleeving. Provides positive control for shaping and bending jumpers and controlling conductors when cutting.

FEATURES AND BENEFITS:

- Excellent means of applying factory formed tie wires, armor rods, and securing captured hardware during crimping operation
- Main fiberglass portion is 1" diameter
- The 5/8" operating rod is designed to withstand high torque values
- Foam filled to completely eliminate migration of contaminants and moisture

RIGID HEAD

CAT NO	LENGTH	CONDUCTOR CAPACITY	LBS	CASE
4600	4'	#6 to 1 1/16"	3.3	C-8104
4601	6'	#6 to 1 1/16"	3.8	C-8106
4602	8'	#6 to 1 1/16"	4.3	C-8108

ADJUSTABLE HEAD

CAT NO	LENGTH	CONDUCTOR CAPACITY	LBS	CASE
4603	4'	#6 to 1 1/16"	4.0	C-8104
4604	6'	#6 to 1 1/16"	4.5	C-8106
4605	8'	#6 to 1 1/16"	5.0	C-8108

ADJUSTABLE HEAD

All of the same features of the rigid head plus the convenience of adjustment from straight to 30 degrees both sides of center. This gives the lineman better control options from multiple positions. A universal joint on the operating rod allows smooth, effortless control of the gripping pressure. Angle adjustments are obtained easily by means of a spring loaded thumb screw.



4604



464

HOT STICK BLANK POLES

- Foam filled
- Existing tools can be attached by cementing with epoxy adhesive

FT	1 1/4" DIA BLANKS		1 1/2" DIA BLANKS		2" DIA BLANKS	
	CAT NO	LBS	CAT NO	LBS	CAT NO	LBS
4	464	1.2	534	2.0	-----	-----
6	466	2.0	536	3.0	-----	-----
8	468	2.5	538	4.1	638	5.1
10	4610	2.9	5310	5.3	6310	6.3
12	4612	3.3	5312	6.5	6312	7.5
14	4614	3.8	5314	7.6	6314	8.6
16	-----	-----	5316	8.8	6316	9.8
18	-----	-----	5318	10	6318	11.0
20	-----	-----	5320	11.2	6320	12.2

FT	2 1/2" DIA BLANKS		3" DIA BLANKS	
	CAT NO	LBS	CAT NO	LBS
8	648	7.5	6508	11.0
9	-----	-----	6509	12.5
10	6410	9.5	6510	14.0
11	-----	-----	6511	15.5
12	6412	11.5	6512	17.0
14	6414	13.5	6514	20.0
16	6416	15.5	6516	23.0
18	6418	17.5	6518	26.0
20	6420	19.5	6520	29.0



4355



4355-8

HOT STICK SPLICE FITTINGS

- Hinge Splice
- Rigid Splice

CAT NO	DESCRIPTION	LBS
4355-8	HINGE SPLICE FOR 1 1/4" DIAMETER STICK	1.0

CAT NO	DESCRIPTION	LBS
4355	METAL SPLICE TO FIT 1 1/4" to 1 1/4"	1.1
4355-5	METAL SPLICE TO FIT 1 1/2" to 1 1/4"	1.3
4355-1	METAL SPLICE TO FIT 1 1/2" to 1 1/2"	1.3
4355-7	METAL SPLICE TO FIT 1 3/4" to 1 1/2"	1.6
4355-6	METAL SPLICE TO FIT 1 3/4" to 1 3/4"	1.6

SEVERE WEATHER STICK

The severe weather tool is intended to improve safety in situations where the work must be performed, regardless of weather conditions. The tool provides extra protection from water forming a continuous path down the length of the tool. This will improve the dielectric properties of the tool when used in rain, fog, snow, or sleet.

UNIVERSAL - ONE END ONLY				
	1 1/4" DIAMETER		1 1/2" DIAMETER	
FT	CAT NO	LBS	CAT NO	LBS
6	6801	3.2	----	----
8	6802	4.0	----	----
10	6803	4.8	----	----
12	6804	5.6	6811	7.1
14	----	----	6812	7.8
16	----	----	6813	8.7
18	----	----	6814	9.6
20	----	----	6815	10.4

SEVERE WEATHER TOOL

- Can adapt to any universal stick

CAT NO	DESCRIPTION	LBS
6805	SEVERE WEATHER TOOL 1 1/4" x 24" WITH UNIVERSAL ON BOTH ENDS	1.8

BODY RESCUE HOOK STICK

- 18" open hook mounted on a 1 1/4" O.D. fiberglass pole can be used for emergency rescue of injured personnel

CAT NO	DESCRIPTION	LBS
848-1	RESCUE STICK WITH 6' POLE	7.5
848-2	RESCUE STICK WITH 8' POLE	8.0





6780-17 6775-6 6770-6 6775-10

HEAVY DUTY ONE PIECE FIBERGLASS PIKE POLES

- One piece pole has a solid unicellular foam core
- Supplied with reversible point for safety and storage
- Supplied with a heavy duty base cap to protect butt end
- Poles have a 2" diameter

CAT NO	LENGTH	LBS
6775-10	10'	7.5
6775-12	12'	8.7
6775-14	14'	9.9
6775-16	16'	11.1
6775-18	18'	12.3
6775-20	20'	13.5



LIGHT - MEDIUM DUTY TEL-O-POLE® FIBERGLASS PIKE POLE

- Telescopic - retracts to 5' can be stored on service trucks
- Telescopes to 17'
- Tip section is foam filled
- Supplied with heavy duty base cap to protect butt end
- All sections easily disassembled for cleaning and repair

CAT NO	SECTIONS	TIP DIAMETER	BASE DIAMETER	LBS	CASE
6780-17	4	1 1/8"	2"	4.0	C-30

SECTIONAL HEAVY DUTY FIBERGLASS PIKE POLES

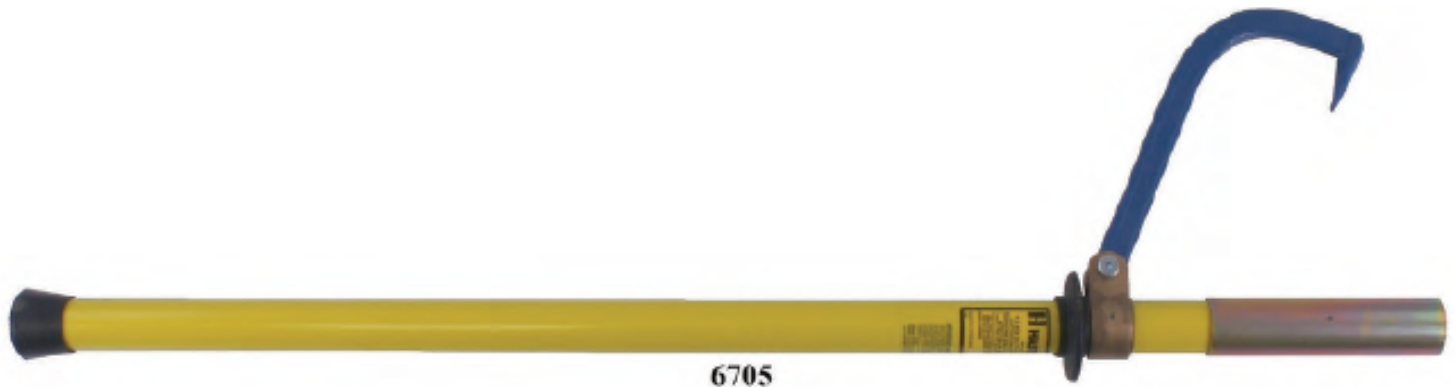
- Solves storage problems of one piece pike poles
- Heavy duty plated steel splice keeps joined sections secure and rigid
- Supplied with reversible point for safety and storage

CAT NO	DESCRIPTION	LBS
6775-6	6' TOP SECTION	7.1
6775-7	7' TOP SECTION	8.0
6775-8	8' TOP SECTION	8.9
6770-6	6' BASE SECTION	9.0
6770-7	7' BASE SECTION	9.9
6770-8	8' BASE SECTION	10.8

FIBERGLASS HANDLE CANT HOOK

- High strength forged steel hook
- 1 3/4" diameter fiberglass handle is easily gripped when wearing gloves
- Supplied with heavy duty base cap to protect butt end
- Protective metal sleeve on head eliminates wear
- Knuckle guard to protect hand if hook swings back to pole

CAT NO	DESCRIPTION	LBS
6705	CANT HOOK WITH 36" FIBERGLASS HANDLE	6.0



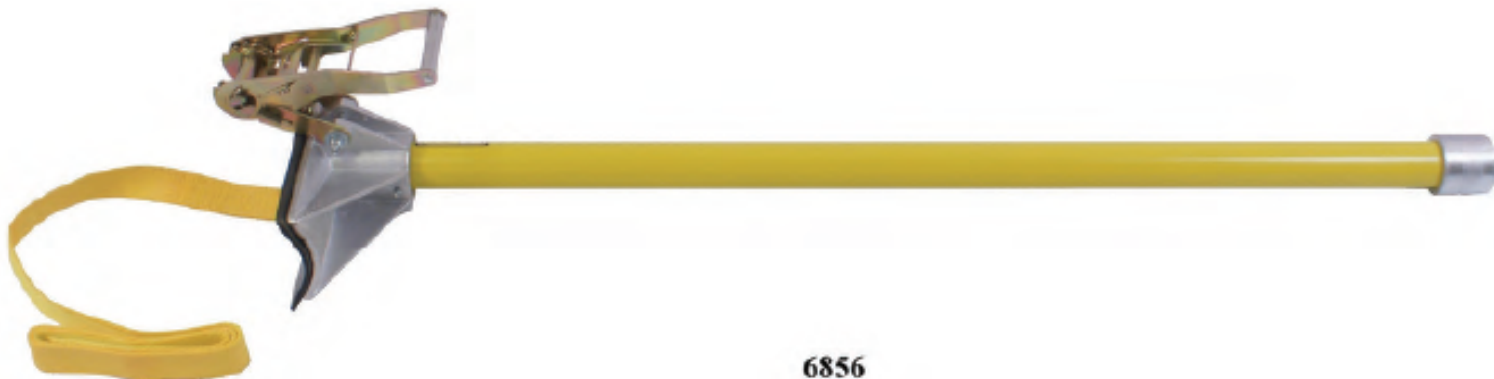
6705

POLE CANT TOOL

Fiberglass handle tool with heavy duty ratchet binder and nylon strap with special coating for turning fiberglass, concrete, metal and wood poles during installation.

FEATURES AND BENEFITS:

- Fiberglass Handle - 48" long x 2" diameter, has a solid foam core
- Nylon Strap - special coated for gripping pole surface
- Ratchet Binder - Heavy duty ratchet has extra wide handle for easy operation when wearing gloves
- Neoprene Pad on aluminum base of tool prevents damage to poles
- Two Way Turning - Poles can be turned in both positions without reinstalling the tool



6856

CAT NO	DESCRIPTION	LBS
6856	POLE CANT TOOL WITH HEAVY DUTY RATCHET BINDER AND 6' NYLON STRAP	10.0
6856-3	POLE CANT TOOL WITH HEAVY DUTY RATCHET BINDER AND 8' NYLON STRAP	10.2
6856-5	POLE CANT TOOL WITH HEAVY DUTY RATCHET BINDER AND 10' NYLON STRAP	10.4



6751-01



6751-15

ONE PIECE FIBERGLASS CABLE HANDLING TOOL

- 3 1/2" diameter hook for easy hooking of cable
- 1 1/4" diameter foam filled fiberglass shaft to prevent condensation
- 3/8" diameter steel handle

CAT NO	DESCRIPTION	LBS
6751-01	CABLE TOOL WITH 2' FIBERGLASS SHAFT	2.0
6751-03	CABLE TOOL WITH 3' FIBERGLASS SHAFT	2.6
6751-04	CABLE TOOL WITH 4' FIBERGLASS SHAFT	3.1
6751-06	CABLE TOOL WITH 6' FIBERGLASS SHAFT	4.5

TWO PIECE CABLE HANDLING TOOL WITH FIBERGLASS HANDLE AND SPIRAL HOOKS

- Spiral hooks provide positive grip on cables up to 2" diameter
- 1 1/4" diameter foam filled fiberglass shaft to prevent condensation
- 3/8" diameter steel handle

CAT NO	DESCRIPTION	LBS
10-106	SPIRAL HOOK - HEAD ONLY WITH UNIVERSAL SPLINE	0.7
6751-8	2' FIBERGLASS SHAFT ONLY	1.8
6751-9	3' FIBERGLASS SHAFT ONLY	2.3
6751-10	4' FIBERGLASS SHAFT ONLY	2.8



10-106

6751-8

SPIRAL HOOK TOOL

How to use the spiral hook tool

- Slide tool over both sides of cable
- Rotate tool 90 degrees and cable becomes captive

INSULATED PROBE TOOLS

- Probe tools are attached to 1 1/4" diameter fiberglass poles and are used for locating buried pipes and cables
- 3/8" O.D. plated steel probe
- Welded ring 3" from tip of tool allows easy penetration of most soils

CAT NO	DESCRIPTION	LENGTH OF FIBERGLASS	OVERALL LENGTH	LBS
6751-15	PROBE TOOL	12"	54"	2.5
6751-07	PROBE TOOL	24"	54"	2.6

**FIXED LENGTH SHOTGUN STICK
WITH EXTERNAL OPERATING ROD**

CAT NO	LENGTH	LBS	CASE
8104	4'6"	4.5	C-8104
8106	6'6"	5.2	C-8106
8108	8'6"	6.5	C-8108
8110	10'6"	7.2	C-8110
8112	12'6"	7.8	C-8112

**FIXED LENGTH SHOTGUN STICK
WITH INTERNAL OPERATING ROD**

CAT NO	LENGTH	LBS	CASE
8204	4'6"	4.1	C-8104
8206	6'6"	4.9	C-8106
8208	8'6"	5.7	C-8108
8210	10'6"	6.4	C-8110
8212	12'6"	7.1	C-8112

**FOLDING SHOTGUN STICK
WITH EXTERNAL OPERATING ROD**

CAT NO	LENGTH	LBS	CASE
13412	6'6"	7.0	01-015
13413	8'6"	8.2	01-015
13414	10'6"	9.3	01-017
13415	12'6"	10.4	01-017



UNIVERSAL OPTION

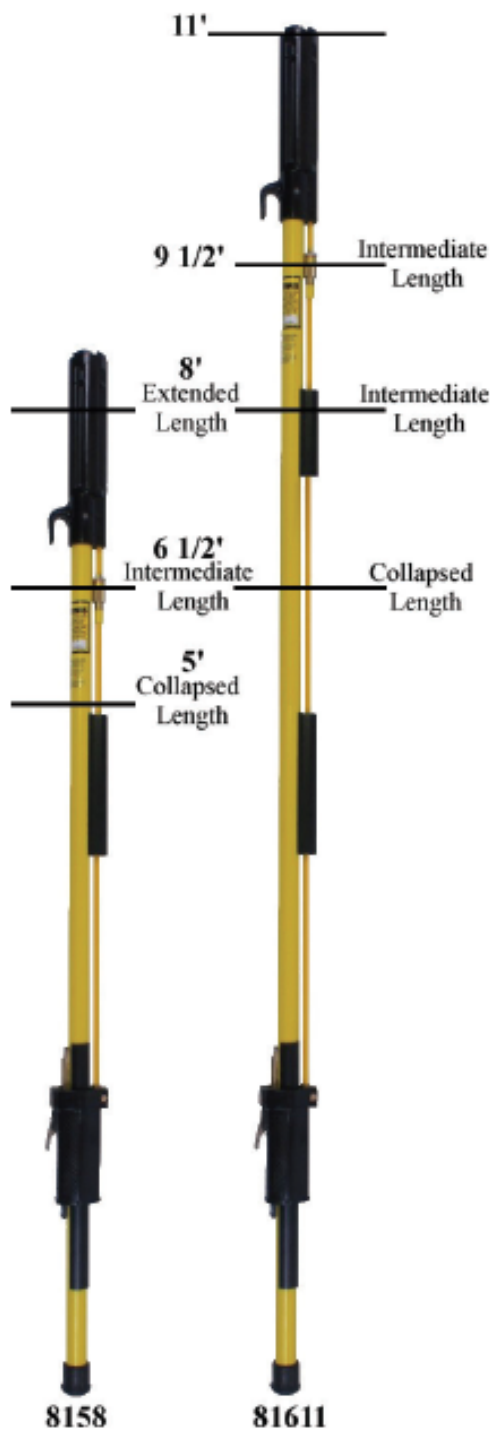
BOTTOM BREAK HOOK OPTION

UNIVERSAL FITTING ON BASE END - Add suffix -U to the catalog number.

BOTTOM BREAK HOOK - Add suffix -X to the catalog number (not available on telescopic models).

TEL-O-POLE® SHOTGUN STICKS

Telescopic shotgun sticks can collapse for storage and extend to the length needed. See chart below.



BUTTON PROTECTOR

- Add -BP to part number
- Helps prevent button from being accidentally depressed



UNIVERSAL OPTION

- Add -U to part number

CAT NO	RETRACTED LENGTH	OPERATING LENGTHS	LBS	CASE
8158	5'1"	5'1", 6'6", 8'	5.8	C-35
8158-80	5'1"	6'6", 8'	5.8	C-35
8158-98	5'1"	8'2"	5.8	C-35
81611	6 1/2'	6'6", 8', 9'6", 11'	6.8	C-8106
81611-97	6 1/2'	8', 9'6", 11'	6.8	C-8106
81-811	8'	8', 9'6", 11', 12'6"	7.3	C-8108
81-814	8'	8', 10', 12', 14'	7.8	C-8108
81-1018	9'10"	9'10", 11'9", 13'6", 15'6", 17'6"	9.5	C-8110

**SECTIONAL SHOTGUN STICK
COMPLETE WITH DETACHABLE HEAD ASSEMBLY
SECTIONS CAN BE ADDED FOR LONGER LENGTHS**

CAT NO	LENGTH OF BASE SECTION	OVERALL LENGTH	LBS
81-704	4'	5'	4.9
81-706	6'	7'	5.6
81-708	8'	9'	9.5
81-710	10'	11'	11.3

**INSULATED HEAD ASSEMBLY
FOR USE WITH ALL SECTIONAL
SHOTGUN STICK BASE AND EXTENSION
SECTIONS**

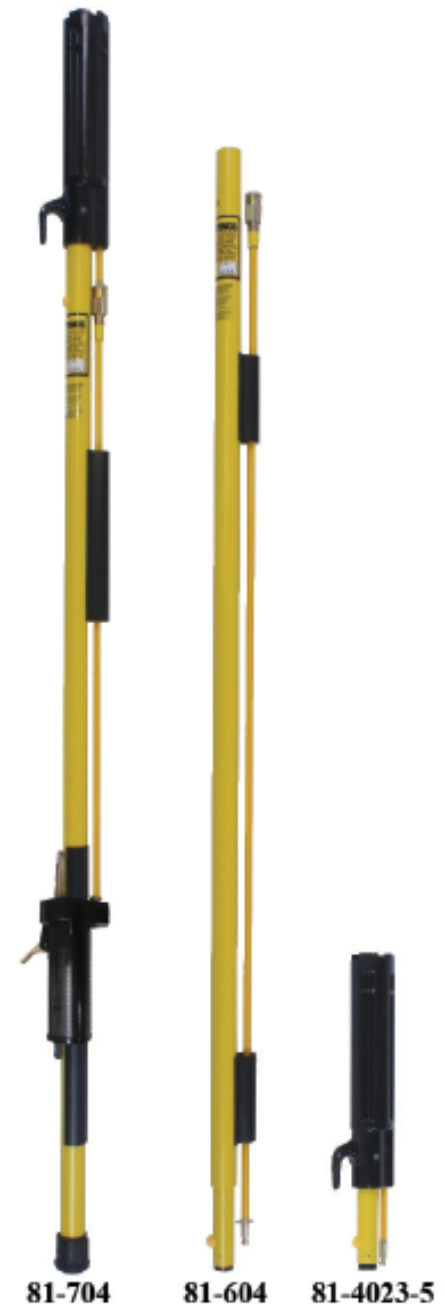
CAT NO	DESCRIPTION	LBS
81-4023-5	INSULATED HEAD ASSEMBLY	1.5

**EXTENSION SECTIONS
USE WITH SINGLE
SECTION STICKS TO MAKE
LONGER LENGTHS**

CAT NO	LENGTH	LBS
81-604	4'	2.5
81-606	6'	3.5
81-608	8'	5.0
81-610	10'	6.0

BASE SECTIONS

CAT NO	LENGTH	LBS
A20289	4'	1.0
A20290	6'	2.0
A20291	8'	3.0
A20292	10'	4.0



CARRY CASES FOR SECTIONAL SHOTGUN STICKS

4' LENGTH		6' LENGTH		8' LENGTH		10' LENGTH	
CAT NO	NUMBER OF POCKETS	CAT NO	NUMBER OF POCKETS	CAT NO	NUMBER OF POCKETS	CAT NO	NUMBER OF POCKETS
01-524	2	01-526	2	01-528	2	01-529	2
01-534	3	01-536	3	01-538	3	01-539	3
01-544	4	01-546	4				
01-554	5	01-556	5				

02

Hot Sticks Accessories

DISCONNECT HEAD

- High strength bronze alloy to fit to your existing sticks

CAT NO	DESCRIPTION	LBS
P10037-R	FITS 1 1/4" DIAMETER STICKS	0.6
P10038-R	FITS 1 1/2" DIAMETER STICKS	0.8

P10037-R**SWITCH HEAD**

- High strength bronze alloy to fit to your existing sticks

CAT NO	DESCRIPTION	LBS
P10036-R	FITS 1 1/4" DIAMETER STICKS	0.5

P10036-R**UNIVERSAL HEAD - SPLINED**

- Fits all 1 1/4" or 1 1/2" diameter sticks.
- Allows stick to be used with all universal type tools

CAT NO	DESCRIPTION	LBS
A10017-R	FITS 1 1/4" DIAMETER STICKS	0.4
A10018-R	FITS 1 1/2" DIAMETER STICKS	0.5

A10017-R**OUTDOOR DISCONNECT HEAD**

- Heavy duty aluminum alloy
- Adaptable to all universal type heads
- Also available in bronze alloy

CAT NO	DESCRIPTION	LBS
P10041	DISCONNECT HEAD	0.3
P10166	HEAVY DUTY DISCONNECT HEAD - BRONZE	0.7

**P10041****P10166****UNIVERSAL LINE MATERIAL FUSE TUBE SOCKET DISCONNECT**

- Fits the lift out plate on type OD and RDO line cut-outs

CAT NO	DESCRIPTION	LBS
5455-60	UNIVERSAL LINE MATERIAL FUSE TUBE SOCKET DISCONNECT	0.4

**5455-60****P10043****UNIVERSAL CUTOUT PRONG**

- Light duty, general purpose head
- Use in refusing cutouts

CAT NO	DESCRIPTION	LBS
P10043	UNIVERSAL NEMA CUTOUT PRONG	0.4



P10431 **A10400**



P10459



P10046



P10047



A10111

A10042



10-146



P10049



5455-10

UNIVERSAL DISCONNECT HOOK

- For opening and closing switches
- Also available in High Visibility Fluorescent Yellow

CAT NO	DESCRIPTION	LBS
P10431	UNIVERSAL DISCONNECT HOOK	0.3
A10400	FLUORESCENT UNIVERSAL DISCONNECT HOOK	0.3
P10459	EXTRA LONG 4.75" UNIVERSAL DISCONNECT HOOK	0.5

UNIVERSAL S HOOK

- For handling fallen wires, removing debris from lines
- For pushing or pulling tree limbs
- Made of bronze

CAT NO	DESCRIPTION	LBS
P10046	UNIVERSAL S HOOK	0.3

UNIVERSAL POINTED DISCONNECT

- Used on southern states cutouts
- Made of aluminum alloy

CAT NO	DESCRIPTION	LBS
P10047	UNIVERSAL POINTED DISCONNECT	0.4

UNIVERSAL PIGTAIL DISCONNECT

- Gives positive engagement when pulling disconnects and cutouts
- Made of bronze
- Also available in High Visibility Fluorescent Yellow

CAT NO	DESCRIPTION	LBS
A10042	UNIVERSAL PIGTAIL DISCONNECT	0.6
A10111	FLUORESCENT PIGTAIL DISCONNECT	0.6

UNIVERSAL JAY PRONG DISCONNECT

- Used to open and close disconnects and cutouts
- Made of bronze

CAT NO	DESCRIPTION	LBS
10-146	UNIVERSAL JAY PRONG	0.3

UNIVERSAL PRONG DISCONNECT

- Used to open and close disconnects and cutouts
- Made of bronze

CAT NO	DESCRIPTION	LBS
P10049	UNIVERSAL PRONG DISCONNECT	0.3

UNIVERSAL CHUCK BLANK

- Inside dimensions 5/8" diameter x 1 1/2" deep
- Adapts specialized tools to hot sticks

CAT NO	DESCRIPTION	LBS
5455-10	UNIVERSAL CHUCK BLANK	0.3



09

Care & Maintenance

ALL PURPOSE CLEANER

- Excellent cleaner for the following: hot line tools, trucks, buckets, booms, rubber goods, rigid cover up, painted surfaces and aluminum metal, shop machinery, hand cleaner, all plastic surfaces
- Safe and gives the following benefits: biogradable, non-toxic, non-alkali, non-acid, non-flammable, gentle to the skin, requires no ventilation
- Can be applied with a soft cloth, sponge or hand dispenser
- Concentrate formula mixing ratio is 20 parts water to 1 part concentrate

CAT NO	DESCRIPTION	LBS
10-169	ALL PURPOSE CLEANER - PREMIXED-ONE GALLON	8.0
10-172	ALL PURPOSE CLEANER - PREMIXED-ONE CASE (6 GALLONS)	48.0
10-168	ALL PURPOSE CLEANER - CONCENTRATE-ONE GALLON	8.0
10-194	ALL PURPOSE CLEANER - CONCENTRATE-ONE CASE (6 GALLONS)	48.0
10-195	ALL PURPOSE CLEANER - CONCENTRATE-5 GALLON DRUM	40.0
10-089-3	HAND DISPENSER	1.0



10-169

10-089-3

EXTENDO SLICK

- Helps all your telescopic sticks slide freely
- Reduces friction caused by wear and contaminants
- Formulated for hot stick use
- Non Conductive
- Non Flammable
- Easy to use - Just spray on
- Repels dust
- Dries quickly - Long Lasting
- One can will do up to eight 40' telescopic sticks
- Optional spray handle sold separately

CAT NO	DESCRIPTION	LBS
10-088	EXTENDO SLICK SPRAY	0.8
10-089	EXTENDO SLICK SPRAY - CASE OF 12	9.6
P31444	SPRAY HANDLE	0.2



10-088



P31444

HOT STICK BOOM AND BUCKET WAX

- High grade carnuba wax specially formulated for application to fiberglass finishes
- Properly applied, the wax will produce a hard tack-free weather resistant surface - resistant to temperatures and weather extremes
- Wax may be applied by hand and hand polished - wax on / wax off
- Do not let wax dry on stick

CAT NO	DESCRIPTION	LBS
10-091	WAX - 1 CAN (14 oz)	1.7
10-091-1	WAX - 1/2 CASE (6 CANS)	8.0
10-091-2	WAX - 1 CASE (12 CANS)	15.0



10-091

FIBERGLASS CLEANING AND REFINISHING KIT

- Kit includes items necessary to clean and/or restore fiberglass hot sticks, booms, and buckets
- Kit consists of...
- All Purpose Cleaner - The all purpose cleaner provides a safe non-toxic liquid to aid in removing dirt, grease, metal oxides and other contaminants which accumulate on fiberglass
- Ultra Fine Non-Metalic Abrasive Pads - Pads can be used with the all purpose cleaner to remove stubborn contamination. Note - fiberglass wax may be required after use of cleaner and/or pads to retain surface gloss.
- Clear Epoxy Refinishing Kit - The two part refinish kit is used to bring the tool surface back to its original finish if normal cleaning is not sufficient
- Silicone Treated Wiping Cloths - Wiping cloths are used to remove light dust and dirt from stick surfaces. It is also needed after light cleaning of tool with all purpose cleaner to allow moisture to bead up on tool.



10-171

CAT NO	DESCRIPTION	LBS
10-171	COMPLETE CLEANING KIT	11.0
10-169	1 GALLON ALL PURPOSE CLEANER	8.0
10-170	BOX OF 20 ULTRA FINE NON METALIC PADS	0.5
10-100	1 QUART (TWO PARTS) CLEAR EPOXY REFINISH KIT	2.0
10-090	SILICONE TREATED WIPING CLOTH	0.1

EPOXY REFINISH KIT

- Kit provides all the necessary materials with complete instructions for restoring, fiberglass hot line tools and aerial lift booms and buckets equal to their original finish
- The epoxy coating provides a hard, tough, moisture resistant high-gloss finish of high dielectric strength and is easily cleaned
- Included in the kit are complete instructions, sandpaper, paint brush, and epoxy solvent
- One quart of epoxy coating covers approximately 32 square feet of surface
- The coating is a two-part system, available in both white and clear, dries dust free in approximately 1 1/2 hours and cures completely within 24 hours



10-100

CAT NO	DESCRIPTION	LBS
10-100	EPOXY REFINISHING KIT - CLEAR 1 PINT EACH COMPONENT A, B, AND THINNER	4.0
10-110	EPOXY REFINISHING KIT - CLEAR 2 QUARTS EACH COMPONENT A & B AND 1 QUART THINNER	10.0
10-101	EPOXY REFINISHING KIT - WHITE 1 PINT EACH COMPONENT A, B, AND THINNER	4.0
10-111	EPOXY REFINISHING KIT - WHITE 2 QUARTS EACH COMPONENT A & B AND 1 QUART THINNER	10.0
A30108	EPOXY THINNER - 1 PINT	1.0
A30109	EPOXY THINNER - 1 QUART	2.0

SIX PACK ALL PURPOSE CONCENTRATE CLEANING KIT

- Includes the following: (6) 7 oz. ready to mix plastic containers of concentrated all purpose cleaner, (14) ultra fine non-metallic pads, (6) large adhesive backed identification labels to affix to your gallon containers after mixing
- Each plastic bottle contains the correct amount of concentrate to mix with one gallon of water
- Convenient to store-compact box with closable lid stores easily and you only mix when needed
- Saves shipping costs of pre-mixed gallon containers

CAT NO	DESCRIPTION	LBS
10-197	SIX PACK CLEANING KIT	3.5



10-197

SILICONE TREATED WIPING CLOTH

- For added safety and increased life of live line tools
- Deposits a water repellent film while removing dust and dirt particles from the surface of hot sticks and insulated tool handles
- The 18" x 18" cotton cloth is an open-type weave specially selected for removing foreign material from the surface of insulated tools and has bound edges to eliminate fraying which extends the life of the cloth
- The cloth is packaged in a sealed plastic bag with instructions for compliance with OSHA regulations for cleaning and inspection of live line tools
- Regular use of the silicone treated cloth will add to the life and safety of the tools

CAT NO	DESCRIPTION	LBS
10-090	SILICONE TREATING WIPING CLOTH	0.1



10-090

HOT STICK WIPES

- Excellent for daily wiping of your hot sticks prior to use
- Removes contaminants such as dirt, oils, creosote, and other undesirable matter
- 50 wipes in a heavy duty cardboard dispenser box that can be installed on a wall or post in a convenient location to the line trucks, each are individually packaged
- Leaves a silicone moisture barrier which enables water to bead up. This eliminates the blanket effect when using hot sticks in wet conditions.
- Environmentally safe, the used wipes can be disposed of in normal waste containers

CAT NO	DESCRIPTION	LBS
10-188	HOT STICK WIPES 50 WIPES PER BOX	1.3



10-188



A-12

EPOXY ADHESIVE KIT

- Two component epoxy resin for permanent bonds - metal to fiberglass, wood, steel and brass
- Kit contains all necessary parts and instructions for mixing and apply adhesive

CAT NO	DESCRIPTION	LBS
A-12	EPOXY ADHESIVE KIT	0.4

EPOXY ADHESIVE

- For hot line tool construction and repair
- Epoxy is a general purpose non-sag, high viscosity, two-part adhesive specially formulated for difficult bonding applications where high performance is required
- High impact resistance and good flexibility
- Has excellent adhesion to plastics, fiberglass, metal, wood, concrete and other surfaces
- Same material used in construction of HASTINGS tools - safety yellow color

CAT NO	DESCRIPTION	LBS
10-097-1	EPOXY ADHESIVE 1 PINT EACH COMPONENT A&B	3.0



10-097-1

HOT LINE TOOL RACKS

- Tool racks are made from fiberglass components
- Will accommodate up to 14 hot line tools
- Support legs collapse for easy storage and transportation

CAT NO	DESCRIPTION	LBS
6708	PAIR OF HOT LINE TOOL RACKS	8.2
6707	SINGLE TOOL RACK	4.1



6708

HOT STICK CLEANING KIT

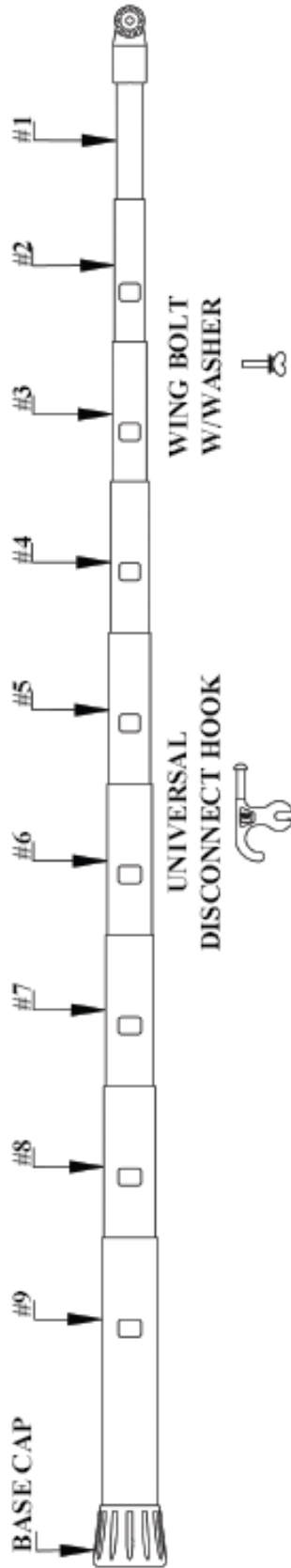
- Kit provides the brushes and sectional fiberglass rods needed to thoroughly clean the inside of telescoping hot sticks and internal rod shotgun sticks
- Kit includes: (1) Heavy duty vinyl fold up storage case with pockets to store cleaning rods and brushes - additional pockets are provided for storage of other cleaning items, (3) Fiberglass sectional rods each 3' long, (5) Heavy duty industrial type nylon bristle brushes to accommodate all inside diameters of telescoping tools

CAT NO	DESCRIPTION	LBS
10-337	COMPLETE CLEANING KIT	3.5
A15579	FIBERGLASS HANDLE 3'	0.4
A15580	FIBERGLASS EXTENSION 3'	0.3
P30724	3/4" DIAMETER BRUSH	0.2
P30725	1" DIAMETER BRUSH	0.2
P30726	1 1/2" DIAMETER BRUSH	0.2
P30727	2" DIAMETER BRUSH	0.2
P30728	2 1/2" DIAMETER BRUSH	0.2
P30723	STORAGE CASE	1.0



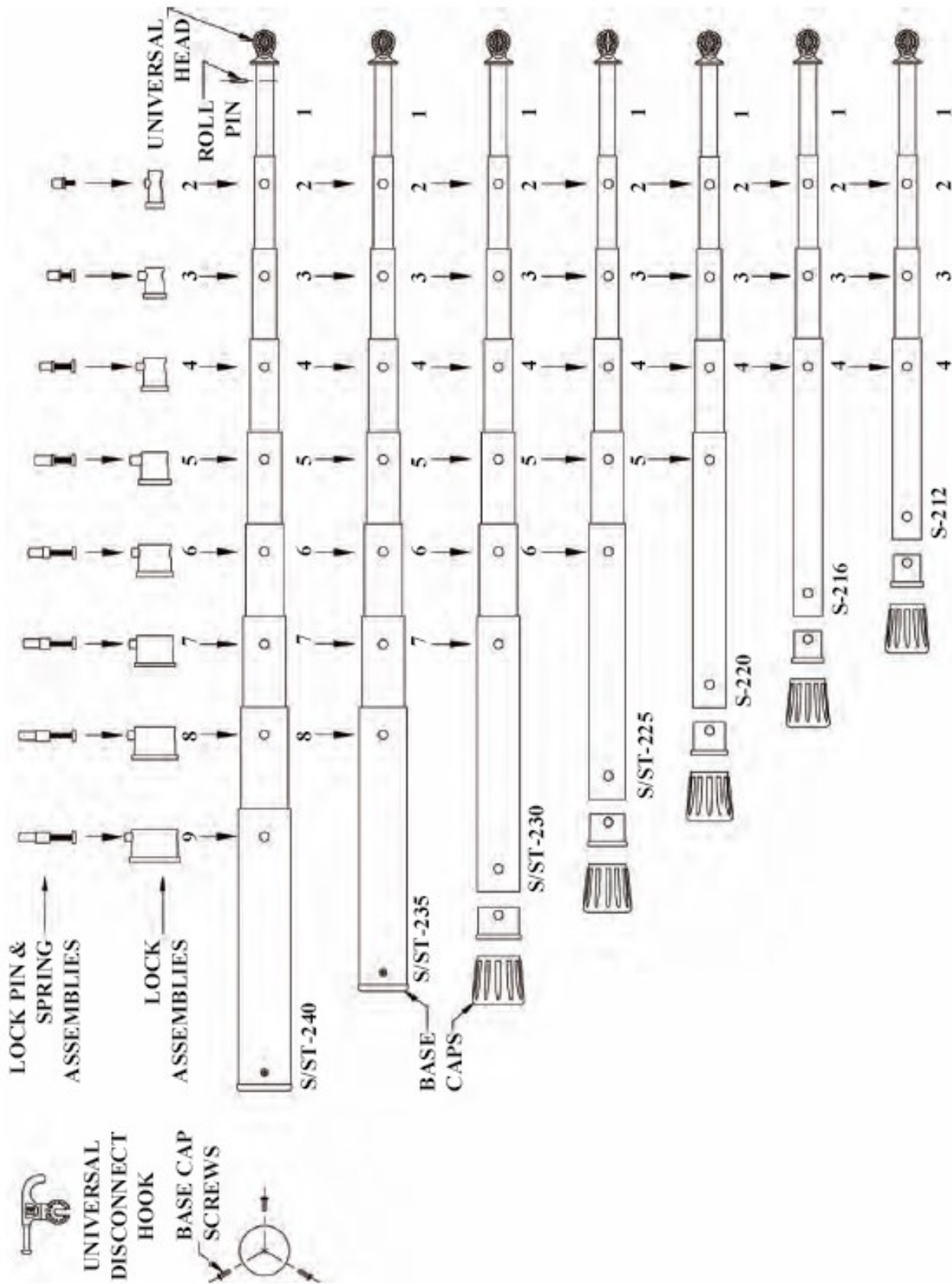
10-337

TEL-O-POLE II REPAIR PARTS LIST / HV-MODELS



MODEL	BASE CAP	9	8	7	6	5	4	3	2	1
HV-240	P18026	A20263	A20249	A20250	A20251	A20252	A20253	A20254	A20255	A20256
HV-235	P18031		A20249	A20250	A20251	A20252	A20253	A20254	A20255	A20256
HV-230	P18030			A20250	A20251	A20252	A20253	A20254	A20255	A20256
HV-225	P18029				A20251	A20252	A20253	A20254	A20255	A20256
HV-220	P18028				A20251	A20252	A20253	A20254	A20255	A20256
HV-216	P18027						A20253	A20254	A20255	A20256
HV-212	P18020							A20254	A20255	A20256
HV-312	P14037						A20376	A20269	A20268	A20267
HV-208	P14037						A20264	A20258	A20259	A20296
P16055	WING BOLT W/ WASHER - ALL MODELS									
P10431	UNIVERSAL DISCONNECT HOOK - ALL MODELS									
NOTE: IF COMPLETE ASSEMBLED SECTION WILL BE USED AS A BASE SECTION, ADD SUFFIX -B TO THE PART NUMBER AND BASE CAP WILL BE INSTALLED.										

TELESCOPIC TEL-O-POLE HOT STICK REPAIR PARTS LIST - S AND ST MODELS

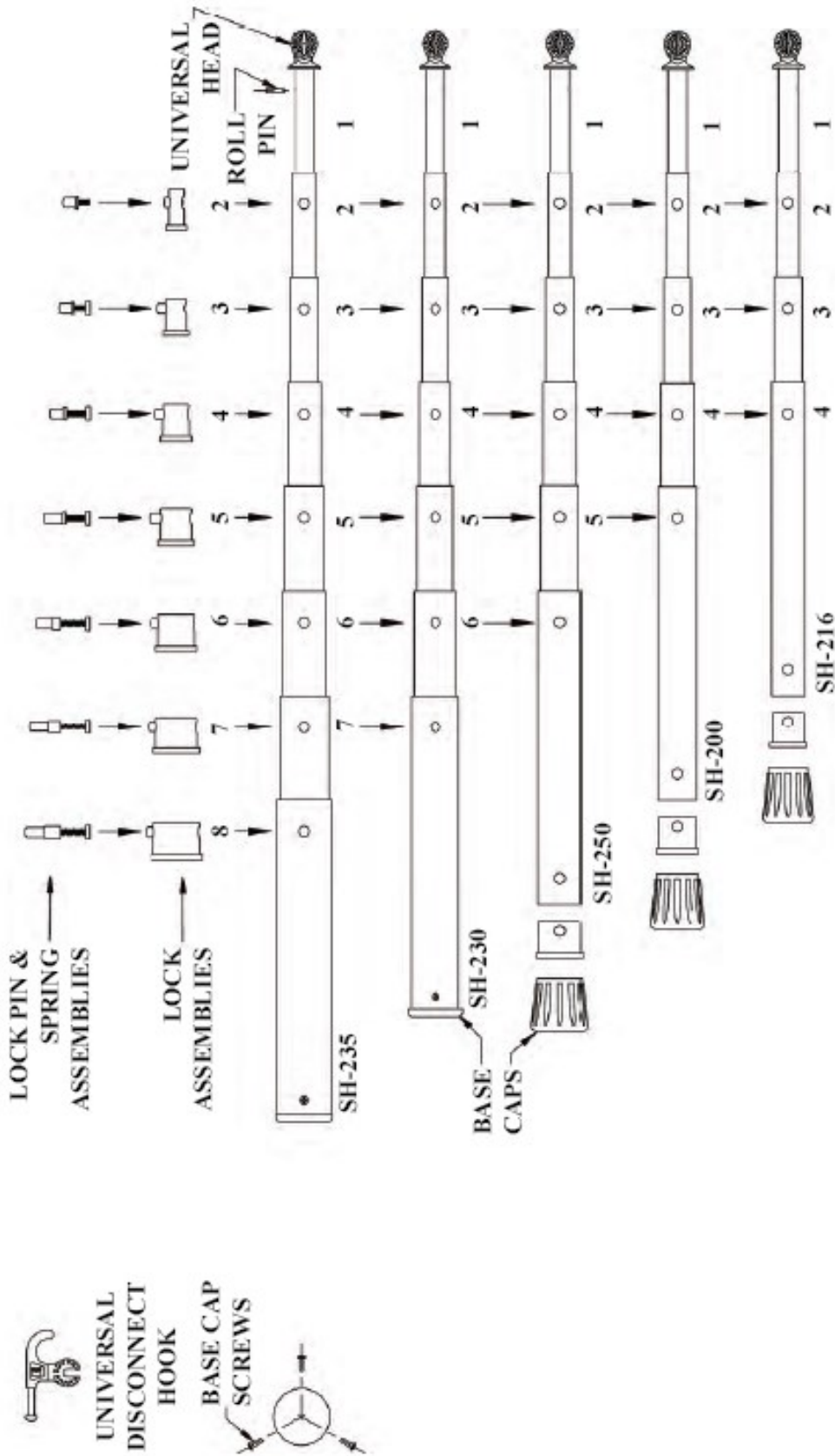


TELESCOPIC TEL-O-POLE HOT STICK REPAIR PARTS LIST - S AND ST MODELS

TUBULAR SECTIONS										
MODEL	BASE CAP	9	8	7	6	5	4	3	2	1
S-240 ST-240	P18039	P21652	P21586	P20008	P20007	P20006	P20005	P20004	P20003	A20316 A20318
S-235 ST-235	P18037		P20013	P20008	P20007	P20006	P20005	P20004	P20003	A20316 A20318
S-230 ST-230	P18031			P20012	P20007	P20006	P20005	P20004	P20003	A20316 A20318
S-225 ST-225	P18030				P20011	P20006	P20005	P20004	P20003	A20316 A20318
S-220	P18029					P20010	P20005	P20004	P20003	A20316
S-216	P18028						P20009	P20004	P20003	A20316
S-212	P18028						P20022	P20021	P20020	A20317
COMPLETE LOCK ASSEMBLIES										
S/S'T-240			A14081	A14010	A14009	A14008	A14006	A14002	A14001	A14080
S/S'T-235				A14010	A14009	A14008	A14006	A14002	A14001	A14080
S/S'T-230				A14079	A14009	A14008	A14006	A14002	A14001	A14080
S/S'T-225					A14078	A14008	A14034	A14021	A14001	A14080
S-220						A14077	A14034	A14002	A14001	A14080
S-216							A14076	A14002	A14001	A14080
S-212							A14076	A14002	A14001	A14080
LOCK PIN & SPRING ASSEMBLIES										
S/S'T-240			A12009	A12009	A12008	A12007	A12005	A12002	A12001	A12045
S/S'T-235				A12009	A12008	A12007	A12005	A12002	A12001	A12045
S/S'T-230					A12008	A12007	A12005	A12002	A12001	A12045
S/S'T-225						A12007	A12026	A12025	A12001	A12045
S-220							A12026	A12002	A12001	A12045
S-216								A12002	A12001	A12045
S-212								A12002	A12001	A12045
P16531	ROLL PIN - USED FOR ALL MODELS									
A10434	UNIVERSAL HEAD - USED FOR ALL MODELS									
P10431	UNIVERSAL DISCONNECT HOOK - USED FOR ALL MODELS									
P16193	BASE CAP SCREWS - USE FOR MODEL S/S'T-240 AND S/S'T-235									
P12022	BRASS DRIVE PIN(S) FOR ALL LOCK ASSEMBLIES									

COMPLETE SET OF PIN AND SPRING ASSEMBLIES	
FOR YELLOW #1 TIP POLES	FOR GREEN #1 TIP POLES
CAT NO	CAT NO
251	A12046
252	A12047
253	A12048
254	A12049
255	A12050
256	A12051
-----	A12052

HEAVY DUTY TEL-O-POLE HOT STICK REPAIR PARTS / SH-MODELS



HEAVY DUTY TEL-O-POLE HOT STICK REPAIR PARTS / SH-MODELS

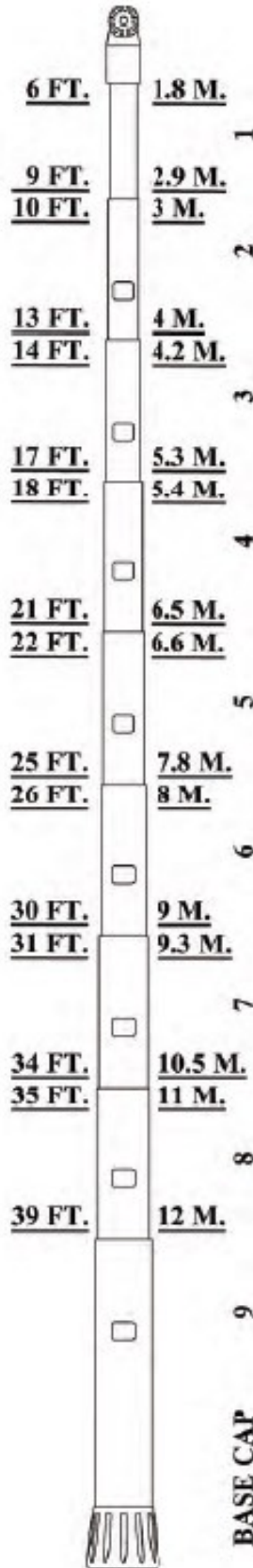
COMPLETE SET OF PIN AND SPRING ASSEMBLIES	
CAT NO	FOR MODEL
258	SH-216
259	SH-220
260	SH-250
261	SH-230
280	SH-235

TUBULAR SECTIONS									
MODEL	BASE CAP	8	7	6	5	4	3	2	1
SH-235	P18039	P21721	P21586	P20008	P20007	P20006	P20005	P20004	A20329
SH-230	P18037		P20013	P20008	P20007	P20006	P20005	P20004	A20329
SH-250	P18031			P20012	P20007	P20006	P20005	P20004	A20329
SH-200	P18030				P20011	P20006	P20005	P20004	A20329
SH-216	P18029					P20010	P20005	P20004	A20328
COMPLETE LOCK ASSEMBLIES									
SH-235			A14081	A14010	A14009	A14008	A14006	A14002	A14001
SH-230				A14010	A14009	A14008	A14006	A14002	A14001
SH-250				A14079	A14009	A14008	A14006	A14002	A14001
SH-200					A14078	A14008	A14034	A14021	A14001
SH-216						A14077	A14034	A14002	A14035
LOCK PIN & SPRING ASSEMBLIES ONLY									
SH-235			A12009	A12009	A12008	A12007	A12005	A12002	A12001
SH-230				A12009	A12008	A12007	A12005	A12002	A12001
SH-250					A12008	A12007	A12005	A12002	A12001
SH-200						A12007	A12026	A12025	A12001
SH-216							A12026	A12002	A12024
P16544	ROLL PIN - ALL MODELS								
A10434	UNIVERSAL HEAD - ALL MODELS								
P10431	UNIVERSAL DISCONNECT HOOK - ALL MODELS								
P16193	SCREWS FOR BASE CAP - MODELS SH-235 AND SH-230								
P12022	BRASS DRIVE PIN(S) FOR ALL LOCK ASSEMBLIES								

EV & MV MODEL HOT STICKS REPAIR PARTS LIST

WING BOLT
W/WASHER

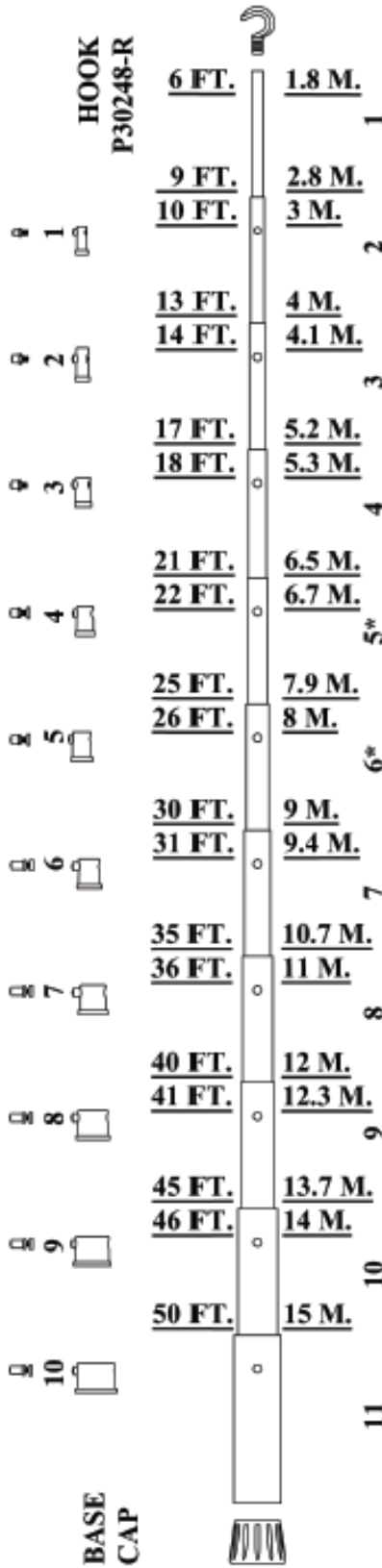
UNIVERSAL
DISCONNECT HOOK



CATNO	BASE CAP	9	8	7	6	5	4	3	2	1
EV-25	P18029				A20348	A20335	A20334	A20333	A20332	A20331
EV-30	P18030			A20349	A20336	A20335	A20334	A20333	A20332	A20331
EV-35	P18031		A20350	A20337	A20336	A20335	A20334	A20333	A20332	A20331
EV-40	P18026	A20263	A20338	A20337	A20336	A20335	A20334	A20333	A20332	A20331
MV-25	P18029				A20348	A20356	A20355	A20354	A20353	A20352
MV-30	P18030			A20349	A20357	A20356	A20355	A20354	A20353	A20352
MV-35	P18031		A20350	A20358	A20357	A20356	A20355	A20354	A20353	A20352
MV-40	P18026	A20263	A20359	A20358	A20357	A20356	A20355	A20354	A20353	A20352
P10313	UNIVERSAL HEAD - FITS ALL MODELS									
P16055	THUMB SCREW WITH WASHER - FITS ALL MODELS									
P10431	UNIVERSAL DISCONNECT HOOK - FITS ALL MODELS									

NOTE: WHEN BASE SECTION PART NUMBERS A20348, A20349, AND A20350 ARE ORDERED FOR REPAIR, THEY INCLUDE A BASE CAP INSTALLED. BASE SECTION PART NUMBER A20263 INCLUDES THE P18026 BASE CAP AND (3) P16157 SCREWS INSTALLED.

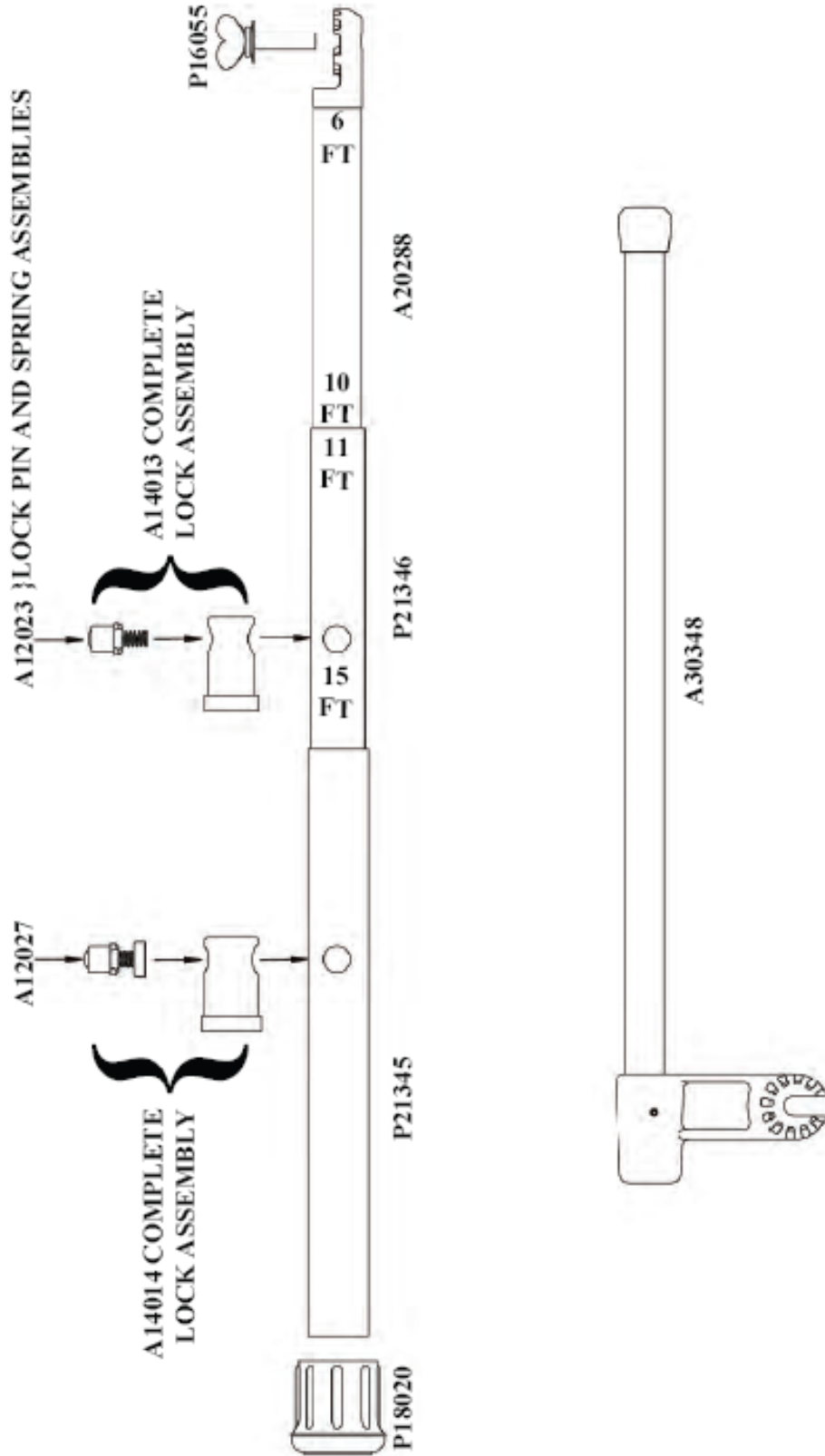
MEASURING STICK PARTS LIST - E & M MODELS



50' LENGTH SHOWN-11 SECTIONS

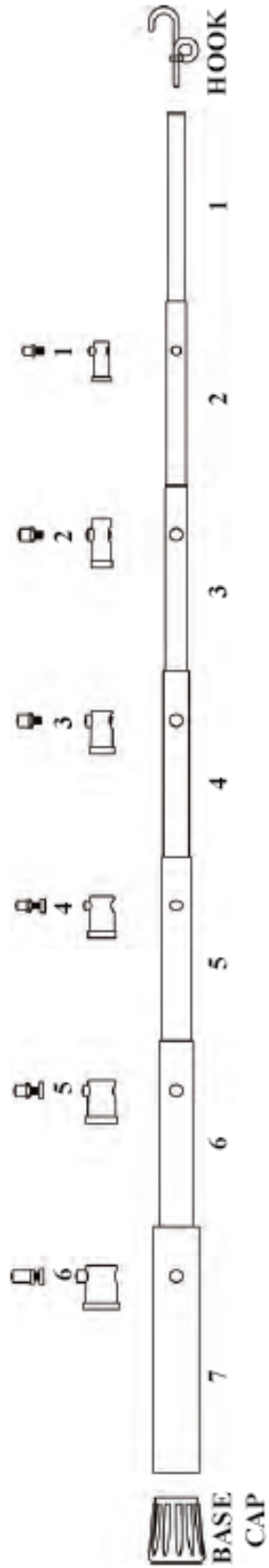
TUBULAR SECTION NUMBERS		COMPLETE LOCK ASSEMBLY NUMBERS											
CATNO	BASE CAP	10	11	10	9	8	7	6	5	4	3	2	1
E-25	P18020							P21419	P21431	P21430	P21429	P21428	P21604
M-25	P18020							P21419	P21449	P21448	P21447	P21446	P21606
E-30	P18027						P21421	P21432	P21431	P21430	P21429	P21428	P21604
E-35	P18029					P21423	P21433	P21432	P21431	P21430	P21429	P21428	P21604
M-35	P18029					P21423	P21451	P21450	P21449	P21448	P21447	P21446	P21606
E-40	P18030					P21425	P21434	P21432	P21431	P21430	P21429	P21428	P21604
M-40	P18030					P21425	P21452	P21450	P21449	P21448	P21447	P21446	P21606
E-50	P18035			P21444	P21443	P21442	P21441	P21440	P21439	P21438	P21437	P21436	P21605
M-50	P18035			P21462	P21461	P21460	P21459	P21458	P21457	P21456	P21455	P21454	P21607
				10	9	8	7	6	5	4	3	2	1
				A14028	A14030	A14029	A14032	A14031	A14015	A14014	A14013	A14012	A14011
LOCK PIN AND SPRING ASSEMBLY NUMBERS													
				A12015	A12014	A12015	A12013	A12012	A12020	A12027	A12023	A12004	A12018
COMPLETE SET OF PINS AND SPRINGS ONLY													
CATNO FITS MODEL													
A12038	E-25 / M-25												
A12040	E-30												
A12041	E-35 / M-35												
A12042	E-40 / M-40												
A12043	E-50 / M-50												
BRASS DRIVE PIN(S) FOR ALL LOCK ASSEMBLIES IS P12022 EXCEPT FOR LOCK ASSEMBLY A14011 USES ROLL PIN P16513													
*FOR E-50 MODEL, SECTION 5 MARKINGS ARE 22-26 FT / SECTION 6 MARKINGS ARE 27-30 FT													

TRUCKER'S MEASURING STICK - E-15-1 REPAIR PARTS LIST



MODEL	BASE CAP	3	2	1
E-15-1	P18020	P21345	P21346	A20288
COMPLETE LOCK ASSY			A14014	A14013
LOCK PIN & SPRING ASSY			A12027	A12023
P12022	BRASS DRIVE PINS FOR LOCK ASSEMBLIES			
P16055	THUMB SCREW WITH WASHER			
A30348	4' SIDE ARM			

RE TRE VER POLE - REPAIR PARTS LIST

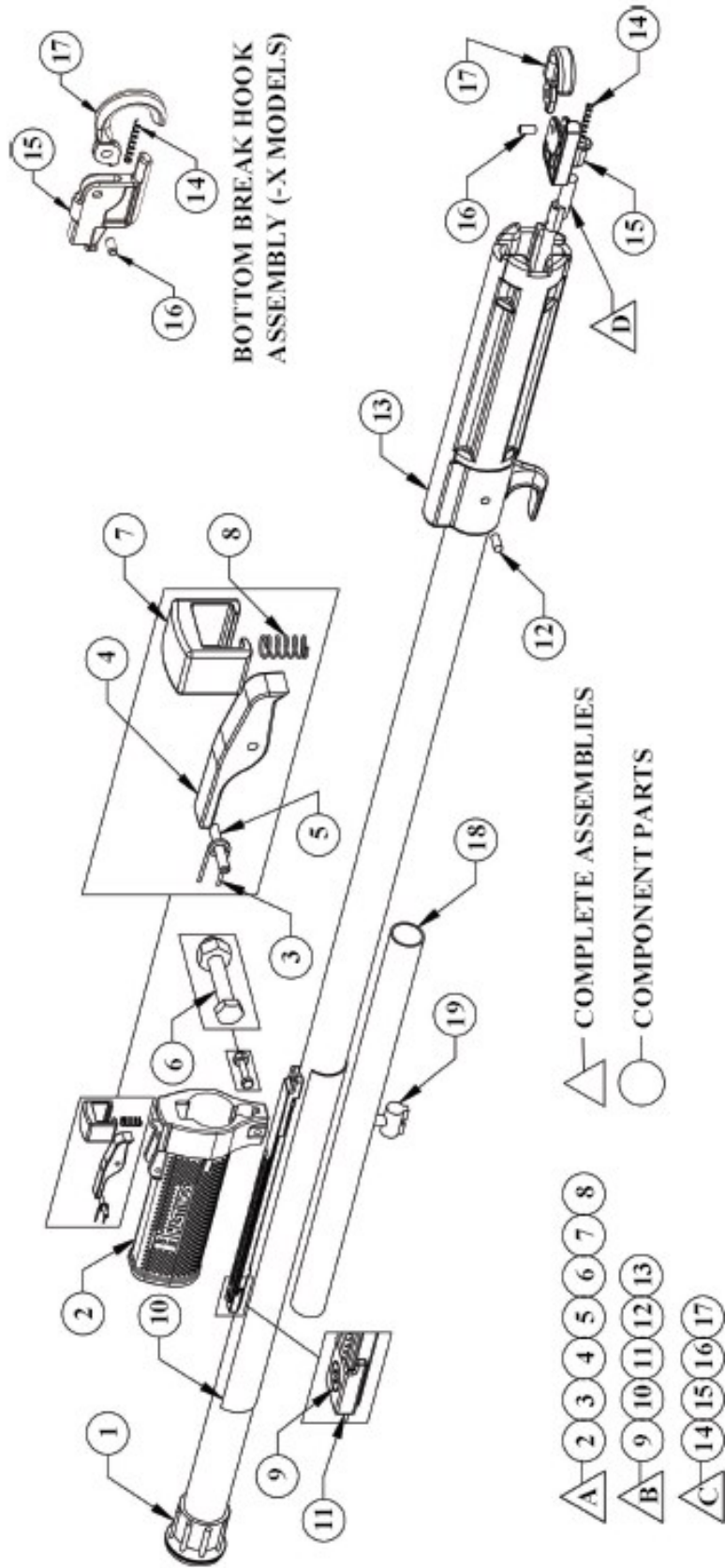


MODEL	BASE CAP	7	6	5	4	3	2	1	HOOK
R-30	P18027	P21422	P21405	P21403	P21401	P21399	P21397	A20304	A30140
COMPLETE LOCK ASSY			A14031	A14015	A14014	A14013	A14012	A14011	
PIN & SPRING ASSY				A12020	A12027	A12023	A12004	A12018	
P12022		BRASS DRIVE PIN FOR ALL LOCK ASSEMBLIES - EXCEPT A14011							
P16513		A14011 LOCK ASSEMBLY USES ROLL PIN							
A12040		COMPLETE SET OF PINS AND SPRING ASSEMBLIES FOR R-30							

FIXED LENGTH SHOTGUN STICK REPAIR PARTS LIST

NO	MODEL	8104	8106	8108	8110	8112	8104-U	8106-U	8108-U	8110-U	8112-U
	DESCRIPTION	CAT NO	CAT NO	CAT NO	CAT NO	CAT NO	CAT NO	CAT NO	CAT NO	CAT NO	CAT NO
1	BASE CAP	P18020	P18020	P18020	P18020	P18020	---	---	---	---	---
2	HANDLE	P18545	P18545	P18545	P18545	P18545	P18545	P18545	P18545	P18545	P18545
3	LEVER ACTUATING SPRING	P13007	P13007	P13007	P13007	P13007	P13007	P13007	P13007	P13007	P13007
4	LEVER	P10002	P10002	P10002	P10002	P10002	P10002	P10002	P10002	P10002	P10002
5	1/8 X 3/4 ROLL PIN	P16502	P16502	P16502	P16502	P16502	P16502	P16502	P16502	P16502	P16502
6	10-32 X 7/8 NUT AND BOLT	A16000	A16000	A16000	A16000	A16000	A16000	A16000	A16000	A16000	A16000
7	TRIGGER	P10003	P10003	P10003	P10003	P10003	P10003	P10003	P10003	P10003	P10003
8	COMPRESSION SPRING	P13008	P13008	P13008	P13008	P13008	P13008	P13008	P13008	P13008	P13008
9	10-32 FLAT HEAD SCREW	P16019	P16019	P16019	P16019	P16019	P16019	P16019	P16019	P16019	P16019
10	PROTECTIVE SLEEVE	P30002	P30002	P30002	P30002	P30002	P30002	P30002	P30002	P30002	P30002
11	SLIDE STOP	P10005	P10005	P10005	P10005	P10005	P10005	P10005	P10005	P10005	P10005
12	HAND GRIP	P18541	P18541	P18541	P18541	P18541	P18541	P18541	P18541	P18541	P18541
13	FRP PIN	P15545	P15545	P15545	P15545	P15545	P15545	P15545	P15545	P15545	P15545
14	INSULATED HEAD	P30195	P30195	P30195	P30195	P30195	P30195	P30195	P30195	P30195	P30195
15	OPERATING ROD GUIDE	---	---	P30744	P30744	P30744	---	---	P30744	P30744	P30744
16	UNIVERSAL HEAD	---	---	---	---	---	P10011	P10011	P10011	P10011	P10011
17	3/16" X 1 1/4" ROLL PIN	---	---	---	---	---	P16518	P16518	P16518	P16518	P16518
18	HOOK ACTUATING SPRING	P13001	P13001	P13001	P13001	P13001	P13001	P13001	P13001	P13001	P13001
19	SIDE BREAK HOOK GUIDE	P10007	P10007	P10007	P10007	P10007	P10007	P10007	P10007	P10007	P10007
20	1/4 X 1 5/32 ROLL PIN	P16528	P16528	P16528	P16528	P16528	P16528	P16528	P16528	P16528	P16528
21	HOOK JAW SIDE BREAK	P10008	P10008	P10008	P10008	P10008	P10008	P10008	P10008	P10008	P10008
REPLACEMENT ASSEMBLY PARTS LIST											
REF	MODEL	8104	8106	8108	8110	8112	8104-U	8106-U	8108-U	8110-U	8112-U
A	HANDLE ASSEMBLY	A18571	A18571	A18571	A18571	A18571	A18571	A18571	A18571	A18571	A18571
B	FIBERGLASS TUBE ASSEMBLY	A20117	A20118	A20119	A20120	A20121	A20381	A20382	A20383	A20384	A20385
C	SIDE BREAK HOOK ASSEMBLY	A10008	A10008	A10008	A10008	A10008	A10008	A10008	A10008	A10008	A10008
D	OPERATING ROD ASSEMBLY	A15500	A15501	A15502	A15503	A15504	A15500	A15501	A15502	A15503	A15504

INTERNAL ROD SHOTGUN STICK REPAIR PARTS LIST



INTERNAL ROD SHOTGUN STICK REPAIR PARTS LIST

NO	MODEL	8204	8206	8208	8210	8212
	DESCRIPTION	CAT NO	CAT NO	CAT NO	CAT NO	CAT NO
1	BASE CAP	P18020	P18020	P18020	P18020	P18020
2	HANDLE	P18545	P18545	P18545	P18545	P18545
3	LEVER ACTUATING SPRING	P13007	P13007	P13007	P13007	P13007
4	LEVER	P10002	P10002	P10002	P10002	P10002
5	1/8 X 3/4 ROLL PIN	P16502	P16502	P16502	P16502	P16502
6	10-32 X 7/8 NUT & BOLT	A16000	A16000	A16000	A16000	A16000
7	TRIGGER	P10003	P10003	P10003	P10003	P10003
8	COMPRESSION SPRING	P13008	P13008	P13008	P13008	P13008
9	10-32 FLAT HEAD SCREW	P16019	P16019	P16019	P16019	P16019
10	PROTECTIVE SLEEVE	P30720	P30720	P30720	P30720	P30720
11	SLIDE STOP	P10005	P10005	P10005	P10005	P10005
12	FRP PIN - (REQUIRES 2)	P15546	P15546	P15546	P15546	P15546
13	INSULATED HEAD	P30195	P30195	P30195	P30195	P30195
14	HOOK ACTUATING SPRING	P13001	P13001	P13001	P13001	P13001
15	SIDE BREAK HOOK GUIDE	P10007	P10007	P10007	P10007	P10007
16	1/4 X 15/32 ROLL PIN	P16528	P16528	P16528	P16528	P16528
17	HOOK JAW SIDE BREAK	P10008	P10008	P10008	P10008	P10008
18	SLOT SLEEVE	P31306	P31306	P31306	P31306	P31306
19	ROD TO HANDLE ADAPTER	P10080	P10080	P10080	P10080	P10080
ASSEMBLY PIECES						
A	HANDLE ASSEMBLY	A18571	A18571	A18571	A18571	A18571
B	FIBERGLASS POLE ASSEMBLY	A20000	A20001	A20002	A20003	A20004
C	SIDE BREAK HOOK ASSEMBLY	A10008	A10008	A10008	A10008	A10008
D	OPERATING ROD ASSEMBLY	A15524	A15525	A15526	A15527	A15528

TELESCOPIC SHOTGUN STICK - REPAIR PARTS LIST

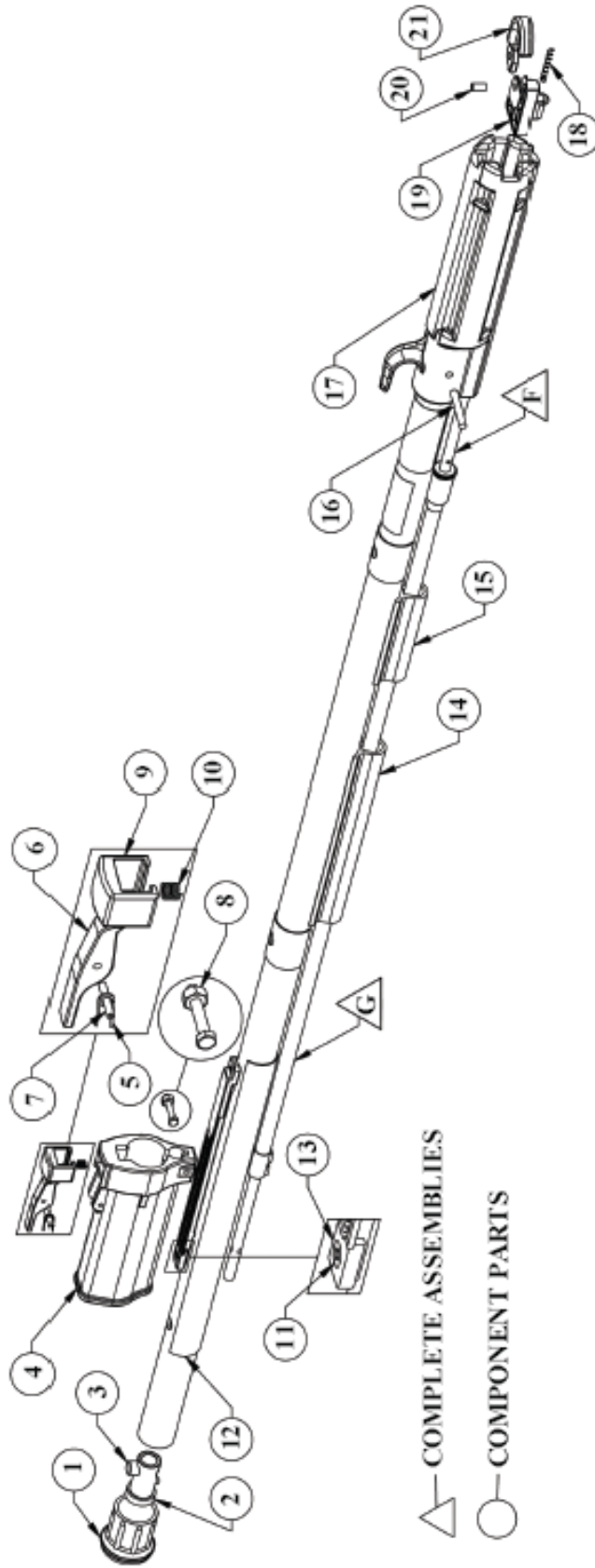
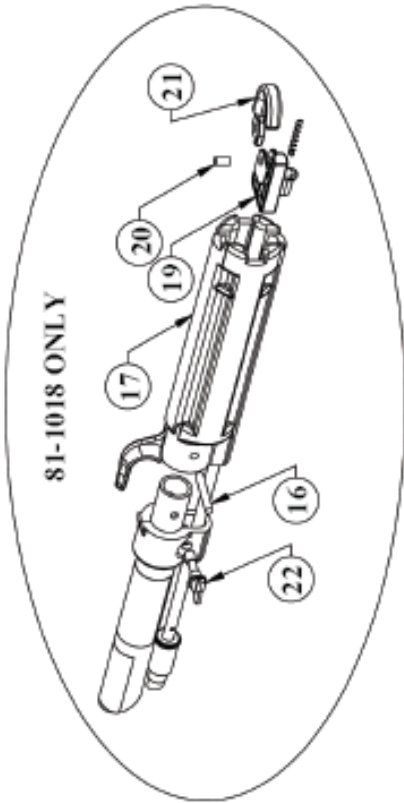
A-2 3

B-4 5 6 7 8 9 10

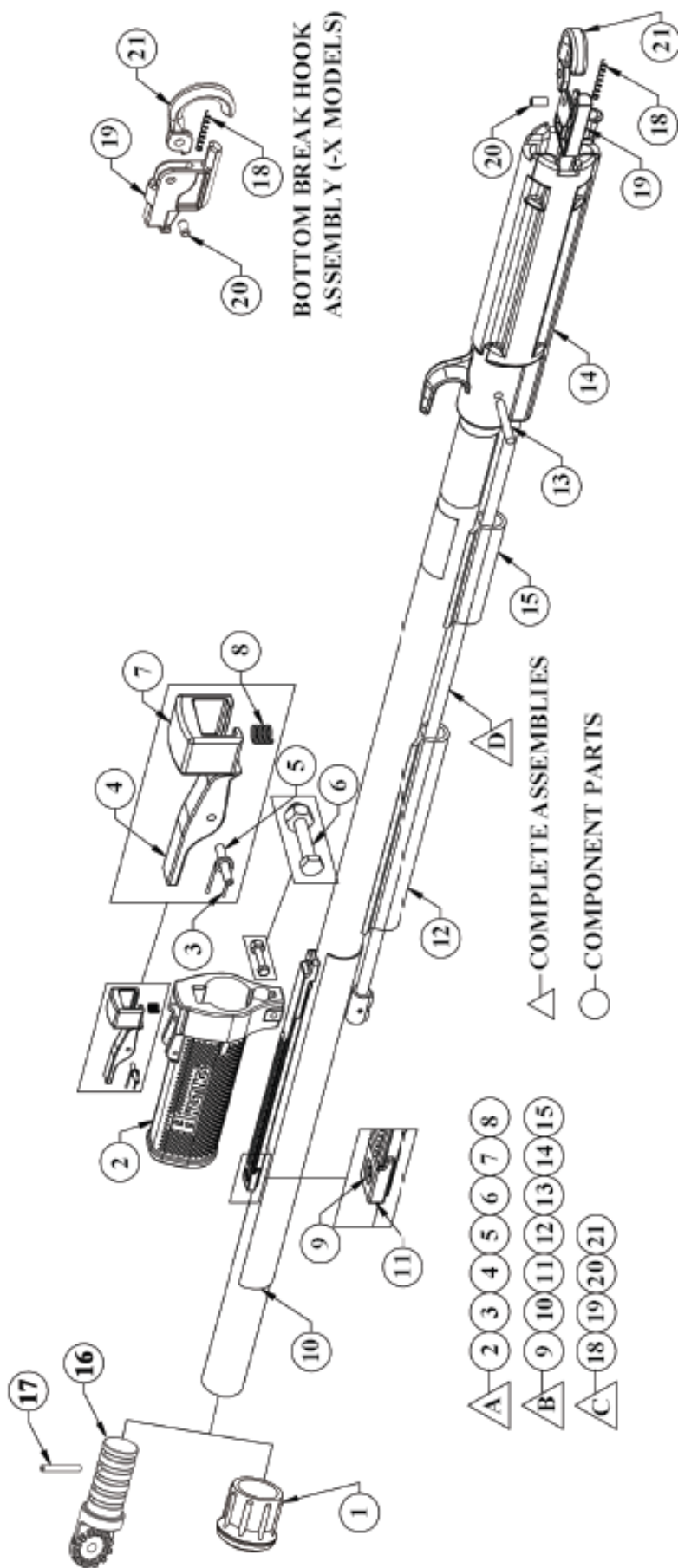
C-11 12 13 14 15 (INCLUDES FIBERGLASS BASE SECTION)

D-16 17 (INCLUDES FIBERGLASS TIP SECTION WITH HEAD ASSEMBLED TO POLE)

E-18 19 20 21



FIXED LENGTH SHOTGUN STICK REPAIR PARTS LIST



Certificate of Registration



This is to certify that the quality management system of

Hastings Fiber Glass Products
Main Site: 770 Cook Road, Hastings, Michigan, 49058, USA

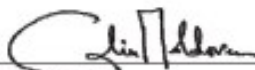
has been assessed and registered by Intertek as conforming to the requirements of
ISO 9001:2008

The quality management system is applicable to

Design and manufacture of fiberglass hot line tools including hot sticks, bolt cutters, grounding equipment, insulating cover up equipment, and high voltage test equipment.



Certificate Number: US-2892d
 Initial Certification Date: 29 May 1998
 Certificate Issue Date: 1 June 2013
 Certificate Expiry Date: 1 June 2016



Calvin Moldoveanu, President, Business Assurance
 Intertek Testing Services NA, Inc.
 70 Codman Hill Road - Boxborough, MA, USA



In the issuance of this certificate, Intertek assumes no liability to any party other than to the Client, and then only in accordance with the agreed upon Certification Agreement. This certificate's validity is subject to the organization maintaining their system in accordance with Intertek's requirements for systems certification. Validity may be confirmed via email at certificate.validation@intertek.com or by scanning the code to the right with a smartphone.

The certificate remains the property of Intertek, to whom it must be returned upon request.

CE-ISO 9001-2008-ANAB-EN-LT-L-04 jan.12



Intertek Intertek Intertek Intertek Intertek